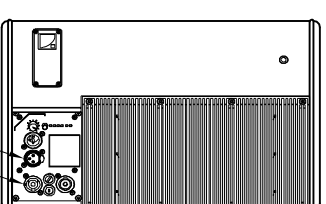
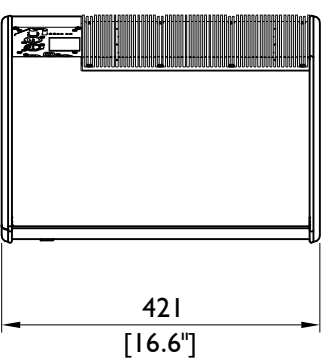
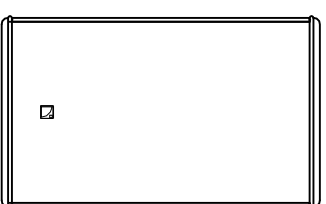
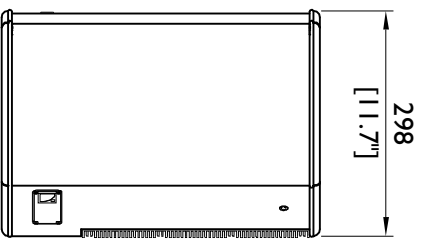
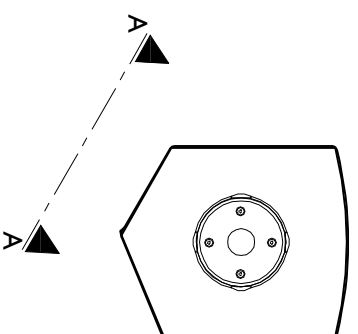
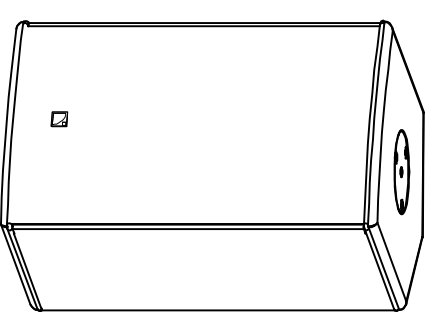


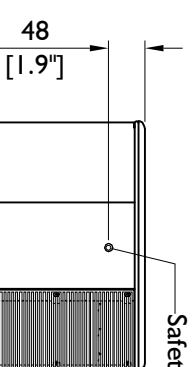
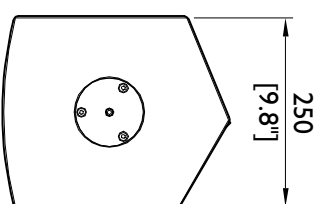
LOUDSPEAKER ENCLOSURE

108P

3D View



Input / Link connectors:
2 x 3-points XLR
Input / Link mains:
2 x Powercon®



Safety eyebolt insert - M8

Vue A-A
Scale: 1:10

Drawn by:	DAVID.LY
Date:	2014-06-03
Scale:	1/10 Dim: mm / inches
Format:	A3 Weight (kg/lbs): 13kg / 28.6lbs
	Referential axis of symmetry

Rev	Date	Modifications
A	2014-06-02	Added safety eyebolt insert. ref: 108P-V3



13 Rue Levacher-Cintrat
Parc de la Fontaine de Jouvence
91462 MARCOUSSIS CEDEX
- FRANCE -
Tel: +33 (0)1.69.63.69.63
Fax: +33 (0)1.69.63.69.64
Email: application@l-acoustics.com

These drawings are the property of LACOUSTICS. All reproduction, copy or communication is forbidden without written permission.