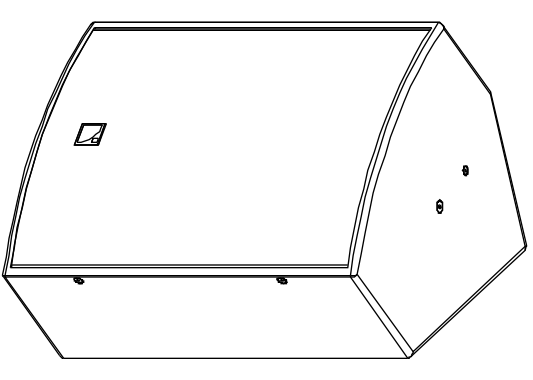


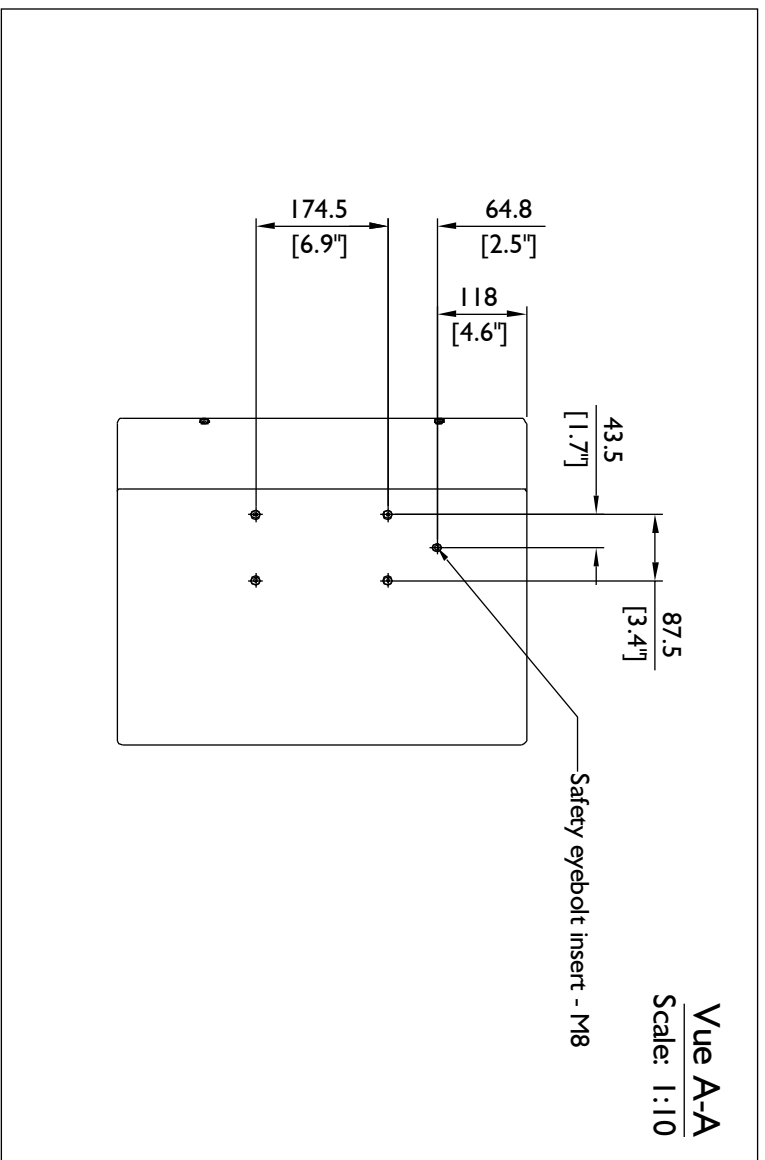
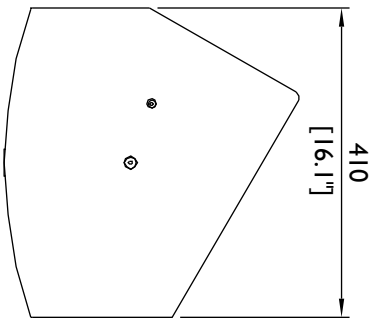
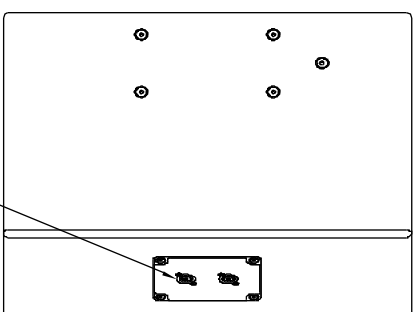
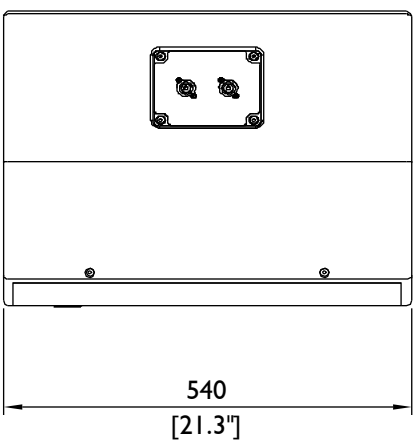
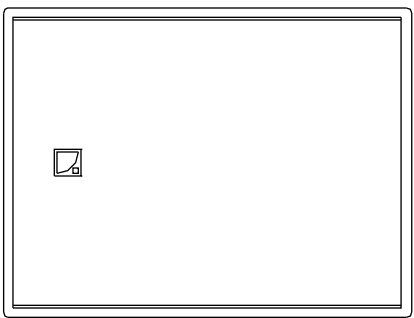
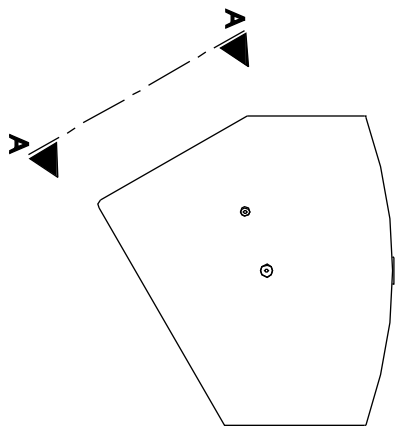
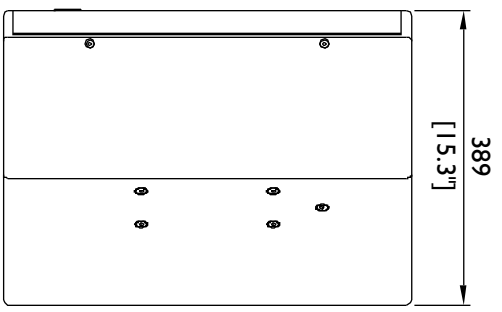
# LOUDSPEAKER ENCLOSURE

## I2XTi

3D View



Input / Link connectors:  
2 x 4-points SpeakON®



Drawn by: DAVID.LY  
Date: 2014-06-03  
Scale: 1/10 Dim: mm / inches  
Format: A3 Weight (Kg/lbs): 28Kg / 62lbs

Rev	Date	Modifications
A	2014-05-13	Added safety eyebolt insert



13 Rue Levacher Citrat  
Parc de la Fontaine de Jouvance  
91462 MARCOUSSIS CEDEX  
- FRANCE -  
Tel: +33 (0)1 69 63 69 63  
Fax: +33 (0)1 69 63 69 64  
Email: [applicator@l-acoustics.com](mailto:applicator@l-acoustics.com)

These drawings are the property of LACOUSTICS. All reproduction, copy or communications (including network access) are strictly prohibited without written permission.