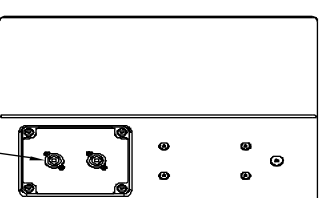
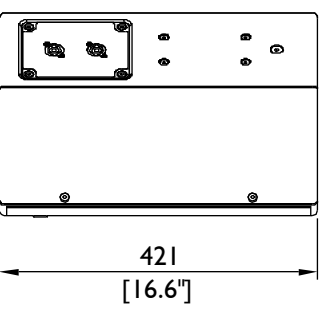
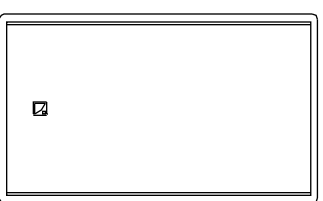
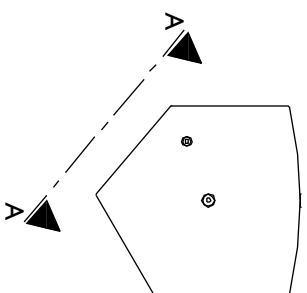
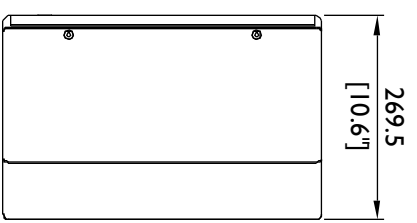
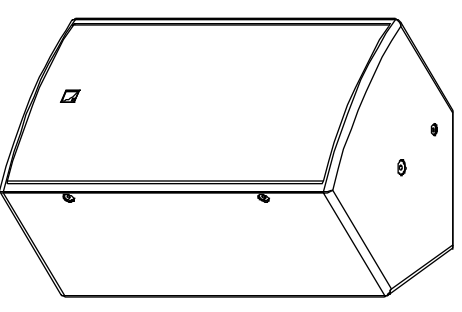


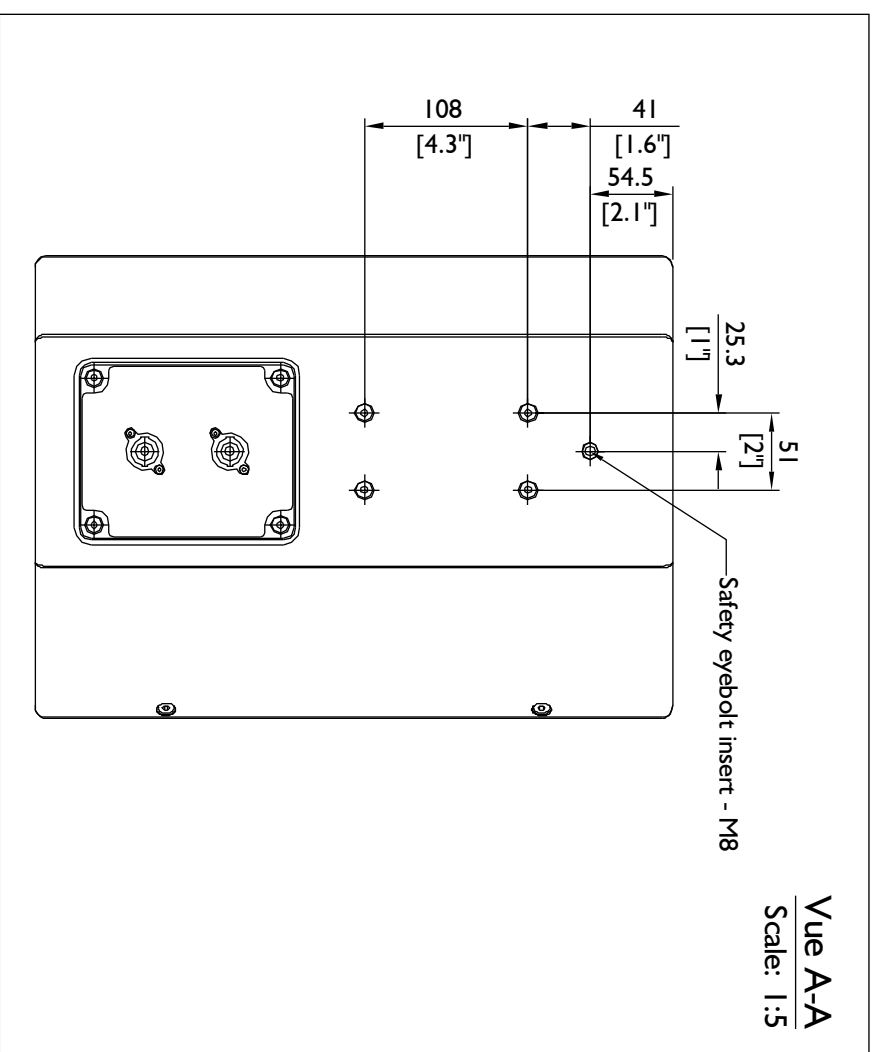
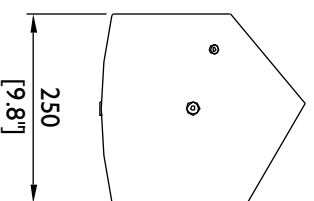
# LOUDSPEAKER ENCLOSURE

## 8XTi

3D View



Input / Link connectors:  
2 x 4-points SpeakON®



Drawn by: DAVID.LY

Date: 2014-06-03

Scale: 1/10 Dim: mm / inches

Format: A3 Weight (Kg/lbs): 11 Kg / 24.3lbs

Referential axis of symmetry



Rev	Date	Modifications
A	2014-05-13	Added safety eyebolt insert



13 Rue Levacher Chivrat  
 Parc de la Fontaine de Jouvançe  
 91462 MARCOUSSIS CEDEX  
 - FRANCE -  
 Tél: +33 (0)1 69 63 69 63  
 Fax: +33 (0)1 69 63 69 64  
 Email: [applicateur@l-acoustics.com](mailto:applicateur@l-acoustics.com)

These drawings are the property of LACOUSTICS. All reproduction, copy or communication is forbidden without written permission.