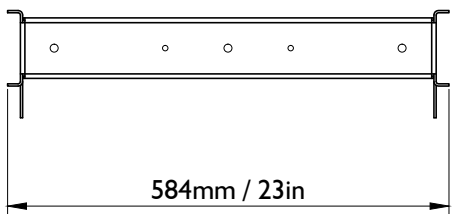
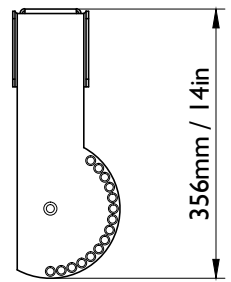
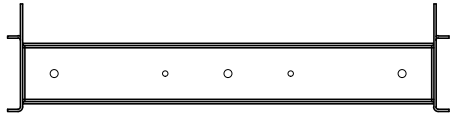
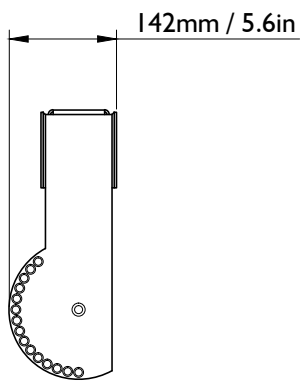


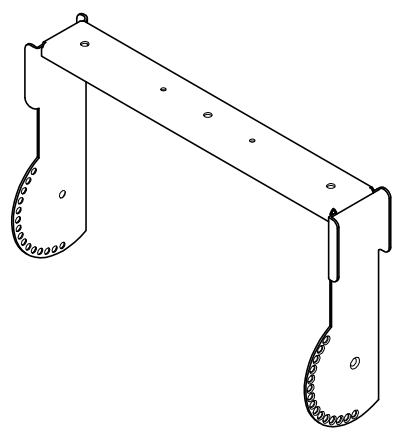
K J H G F E D C B A

10  
9  
8  
7  
6  
5  
4  
3  
2

10  
9  
8  
7  
6  
5  
4  
3  
2



Vue 3D



	Referential axis of symmetry	
Drawn by:	DAVID.LY	
Date:	2014-01-08	
Scale:	1/10	Dim: mm / inches
Format:	A4	Weight (Kg/lbs): 3.3Kg / 7lbs



13 Rue Levacher Cintrat  
 Parc de la Fontaine de Jouvance  
 91462 MARCOUSSIS CEDEX  
 - FRANCE -  
 Tel: +33 (0)1.69.63.69.63  
 Fax: +33 (0)1.69.63.69.64  
 Email: application@l-acoustics.com

Revision:	Date:	Modification:

**ETRI2XTi**

**RIGGING ELEMENT**

These drawing are the property of L-ACOUSTICS. All reproduction, copy or communication is forbidden without written permission.

K J H G F E D C B A