

J

I

H

G

F

E

D

C

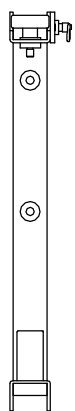
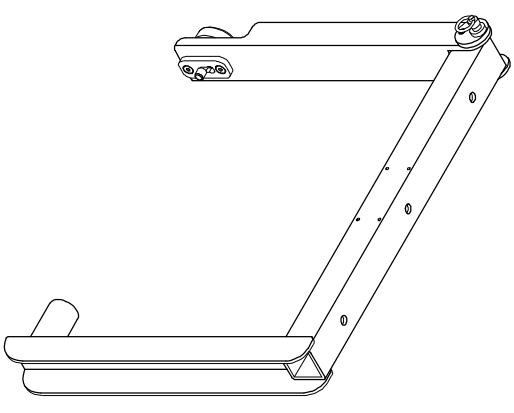
B

A

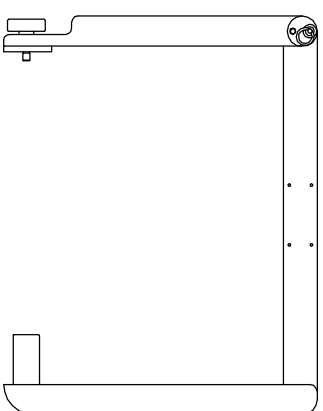
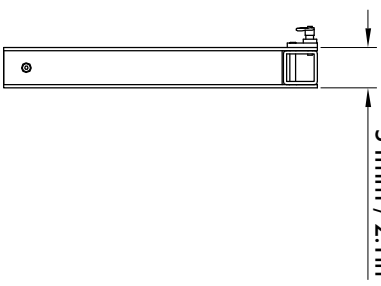
RIGGING ELEMENT

ETRISP

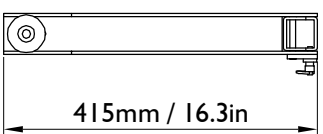
3D View



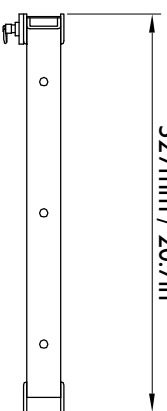
54mm / 2.1in



415mm / 16.3in



527mm / 20.7in



Drawn by:

DAVID.LY

Date:

2014-01-08

Scale:

1/10 Dim: mm / inches

Format:

A3 Weight (kg/lbs): 5.3Kg / 11.7lbs

Referential axis of symmetry



Revision:

Modification:

Date:



13 Rue Levacher-Girtrac
 Parc de la Fontaine de Jouvence
 91462 MARCOUSSIS CEDEX
 - FRANCE -
 Tel: +33 (0)1.69.63.69.63
 Fax: +33 (0)1.69.63.69.64
 Email: application@l-acoustics.com

These drawings are the property of LACOUSTICS. All reproduction, copy or communication is forbidden without written permission.

1

2

3

4

5

6

7

8

9

10

J

I

H

G

F

E

D

C

B

A

1

2

3

4

5

6

7

8

9

10