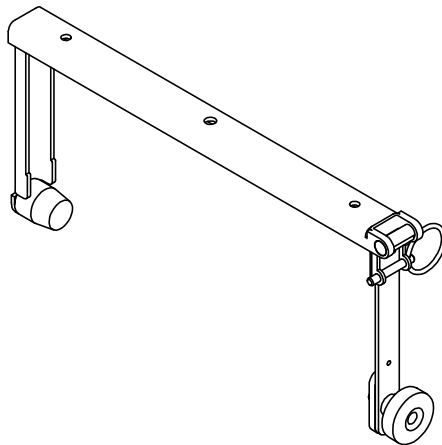


Vue 3D



	Referential axis of symmetry	
Drawn by: DAVID.LY		
Date: 2014-01-08		
Scale: 1/10	Dim: mm / inches	
Format: A4	Weight (Kg/lbs): 1.9Kg / 4.2lbs	



13 Rue Levacher Cintrat
 Parc de la Fontaine de Jouvance
 91462 MARCOUSSIS CEDEX
 - FRANCE -
 Tel: +33 (0)1.69.63.69.63
 Fax: +33 (0)1.69.63.69.64
 Email: application@l-acoustics.com

Revision:	Date:	Modification:

ETR8-2

RIGGING ELEMENT

These drawing are the property of L-ACOUSTICS. All reproduction, copy or communication is forbidden without written permission.

Grid labels: K, J, H, G, F, E, D, C, B, A (horizontal); 10, 9, 8, 7, 6, 5, 4, 3, 2, 1 (vertical)