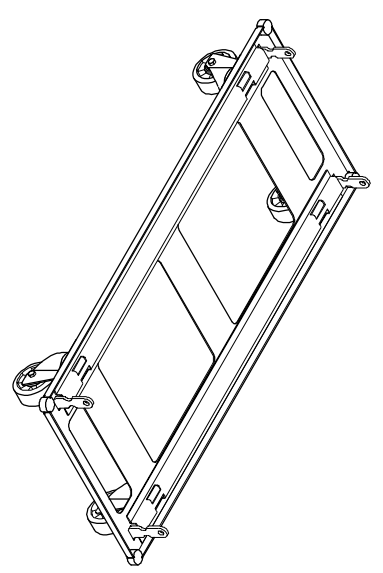


RIGGING ELEMENT
K1-CHARIOT

3D View



Drawn by: DAVID.LY
Date: 2014-01-09
Scale: 1/10 Dim: mm / inches
Format: A3 Weight (kg/lbs): 47Kg / 103lbs

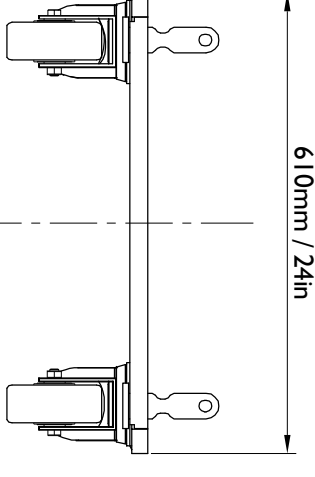
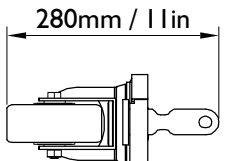
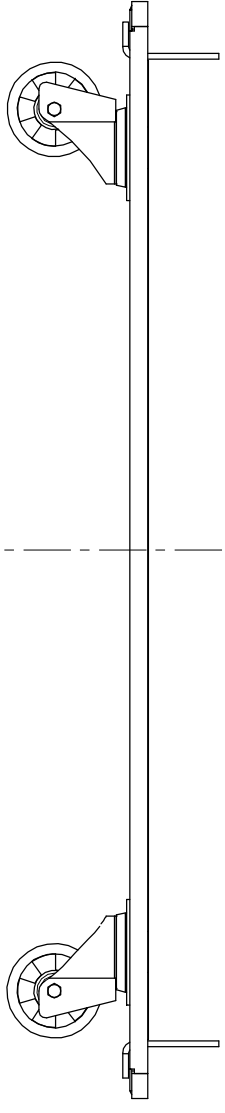
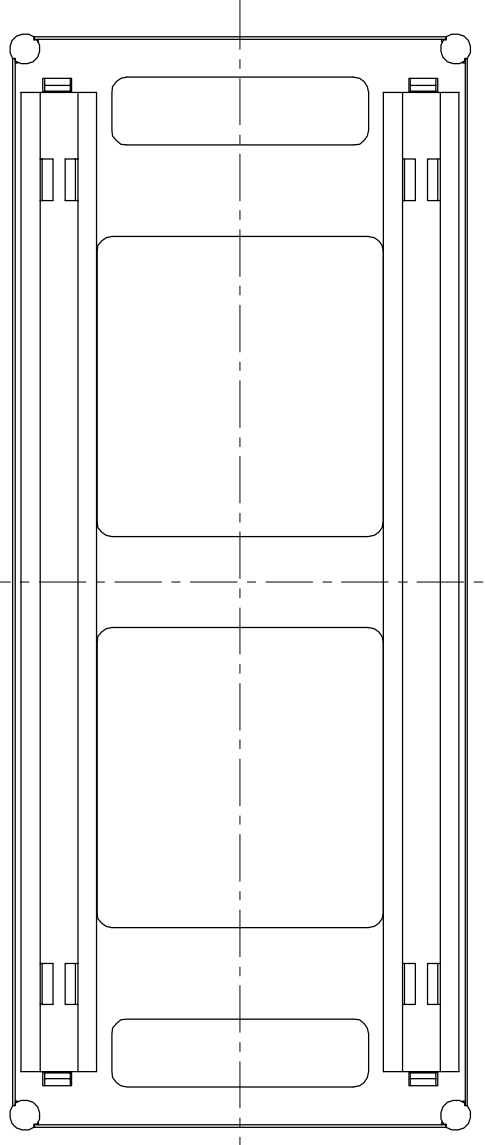
Referential axis of symmetry

Revision:	Date:	Modification:

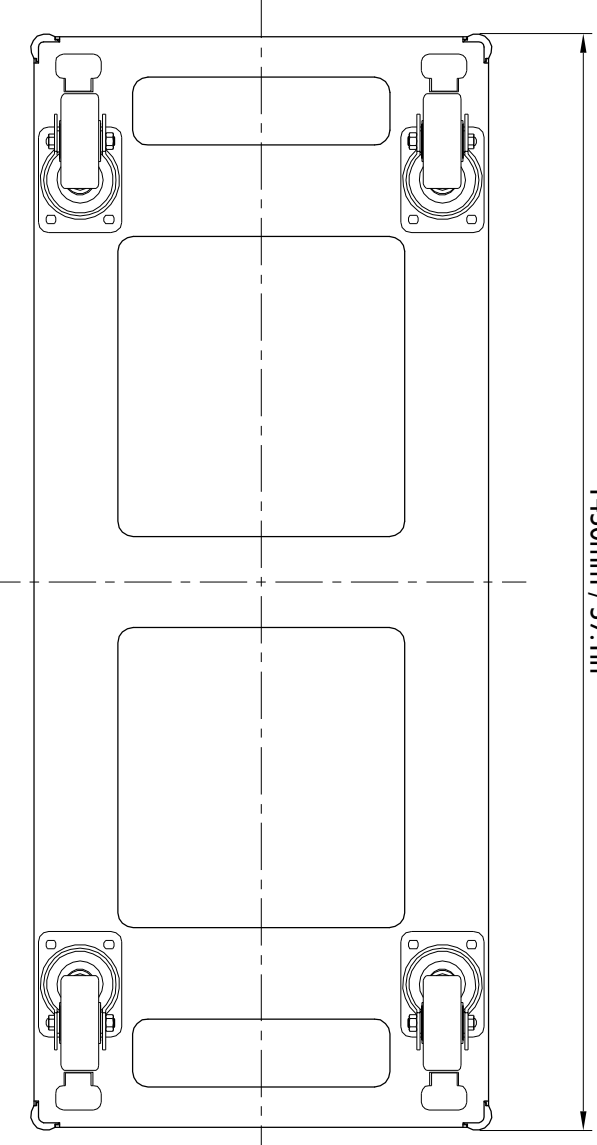


13 Rue Levacher-Cintrat
Parc de la Fontaine de Jouvance
91462 MARCOUSSIS CEDEX
- FRANCE -
Tel: +33 (0)1.69.63.69.63
Fax: +33 (0)1.69.63.69.64
Email: application@l-acoustics.com

These drawings are the property of LACOUSTICS. All reproduction, copy or communication is forbidden without written permission.



1450mm / 57.1in



J	I	H	G	F	E	D	C	B	A
10	9	8	7	6	5	4	3	2	1