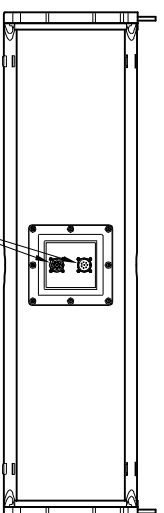
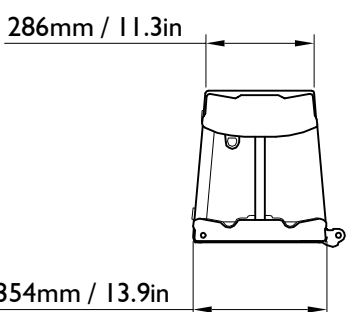
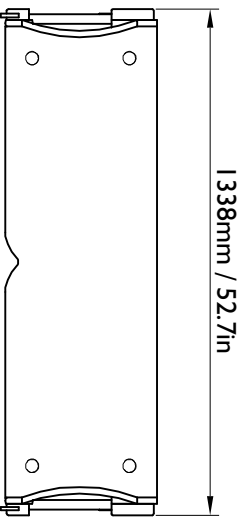
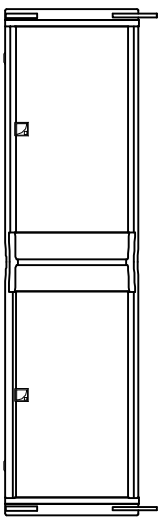
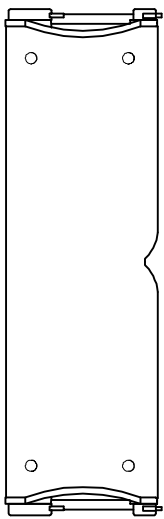
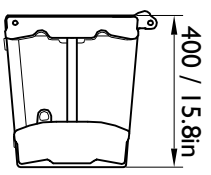
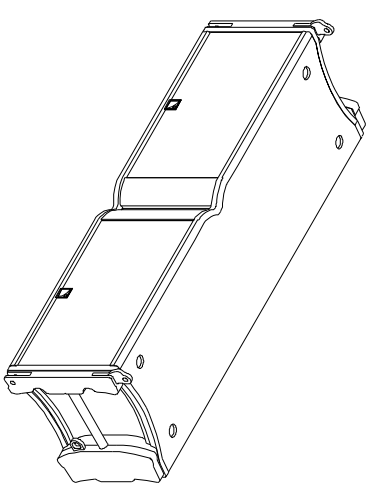


**LOUDSPEAKER ENCLOSURE**

**K2**

3D View



Input / Link connectors:  
2 x 8-points PA-COM®

Drawn by:

DAVID.LY

Date:

2014-01-09

Scale:

1/20 Dim: mm / inches

Format:

A3 Weight (kg/lbs): 56kg / 123.5lbs

Referential axis of symmetry



Revision:

Date:

Modification:



13 Rue Levacher-Citrinat  
Parc de la Fontaine de Jouvence  
91462 MARCOUSSIS CEDEX  
- FRANCE -  
Tel: +33 (0)1.69.63.69.63  
Fax: +33 (0)1.69.63.69.64  
Email: application@l-acoustics.com

These drawings are the property of LACOUSTICS. All reproduction, copy or communication is forbidden without written permission.