

J

I

H

G

F

E

D

C

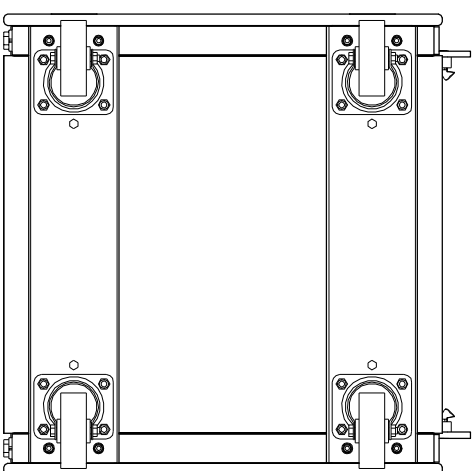
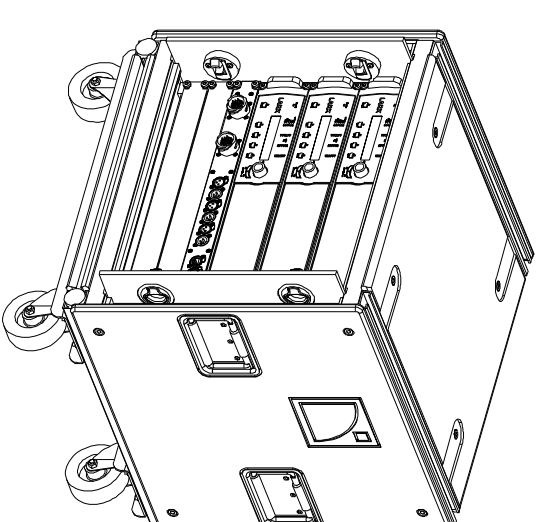
B

A

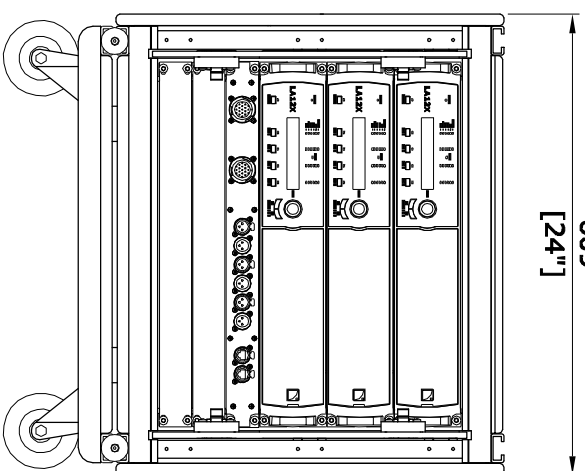
# AMPLIFIED CONTROLLER

## LA-RAKII

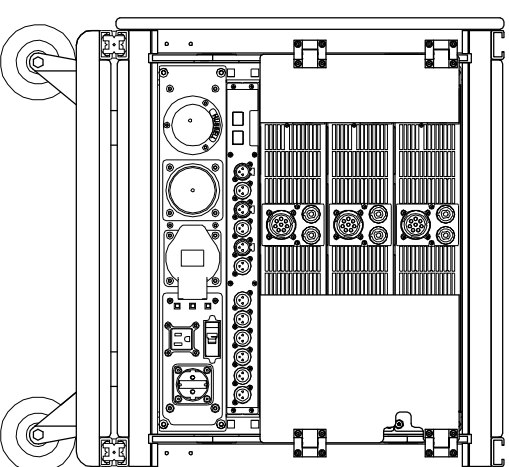
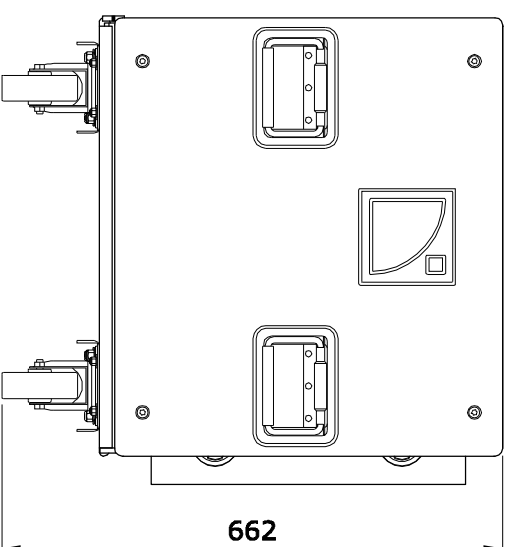
3D View



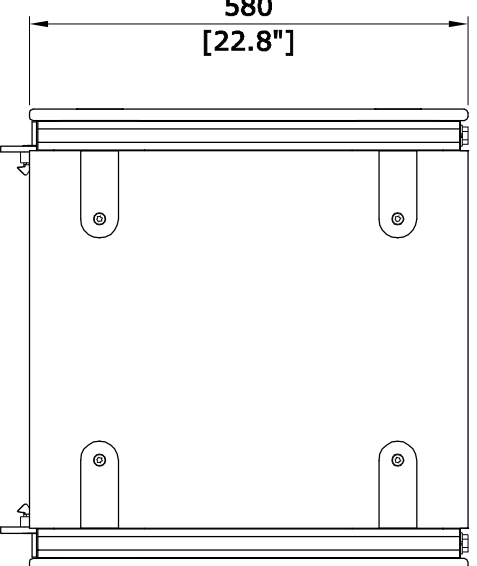
609  
[24"]



662  
[26.1"]



580  
[22.8"]



Drawn by:	DAVID.LY
Date:	2016-03-31
Scale:	1/10 Dim: mm / inches
Format:	A3 Weight (Kg/lbs): 110kg/242.6lbs
Referential axis of symmetry	
Rev:	Date:
	Modifications:



13 Rue Levacher Citrat  
 Parc de la Fontaine de Jouvance  
 91462 MARCOUSSIS CEDEX  
 - FRANCE -  
 Tel: +33 (0)1.69.63.69.63  
 Fax: +33 (0)1.69.63.69.64  
 Email: application@l-acoustics.com

These drawings are the property of L-ACOUSTICS. All reproduction, copy or communication is forbidden without written permission.

1

2

3

4

5

6

7

8

9

10

J

I

H

G

F

E

D

C

B

A

1

2

3

4

5

6

7

8

9

10