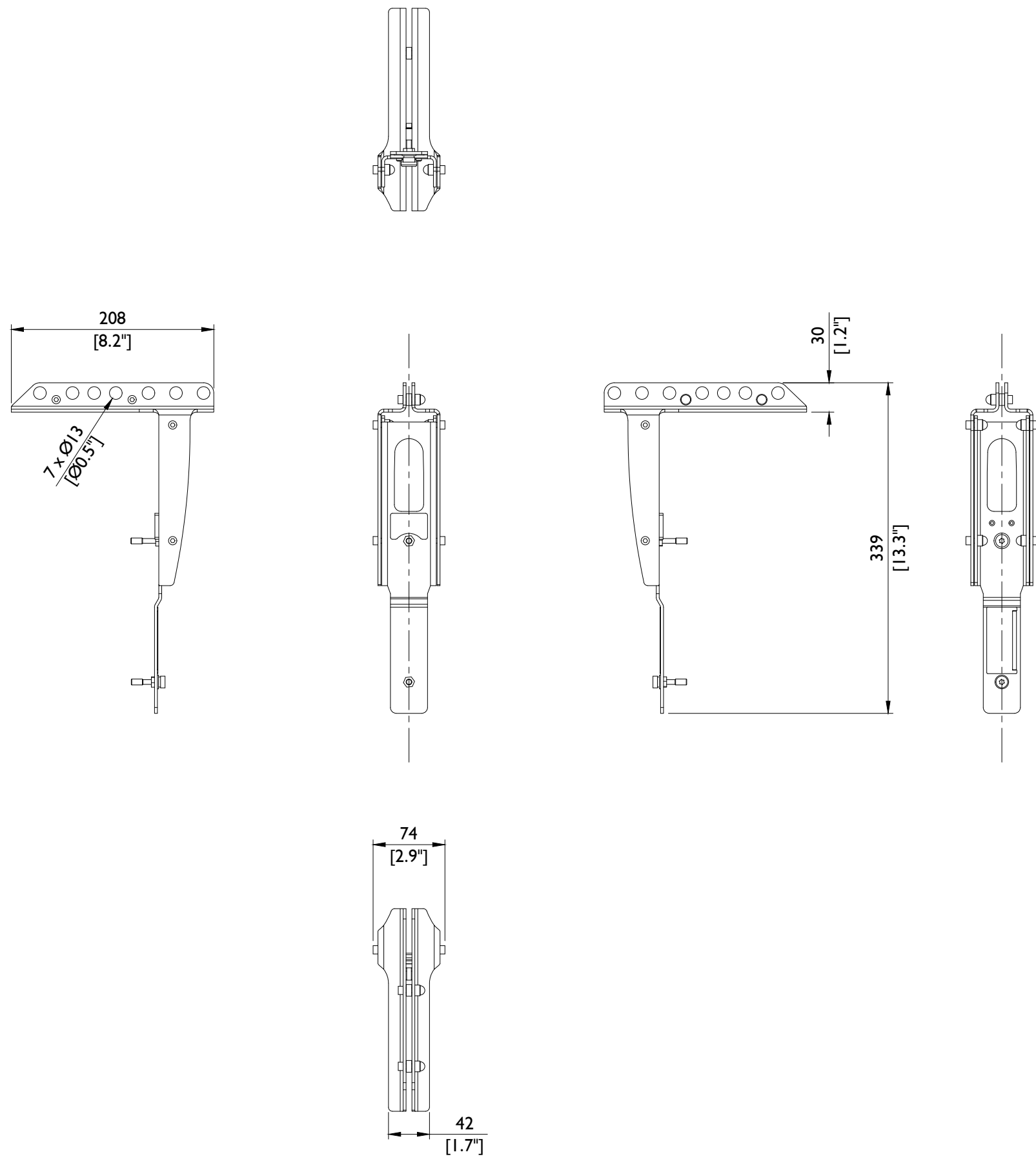
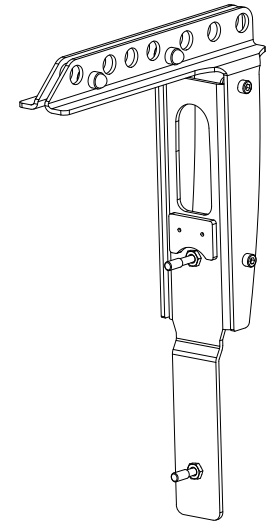


RIGGING ELEMENT

SYVA BAR

3D View

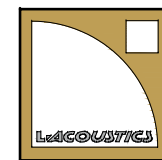


Drawn by:	DAVID.LY		
Date:	2017-03-02		
Scale:	1/5	Dim:	mm / inches
Format:	A3	Weight (Kg/lbs):	1.3Kg / 2.9lbs

	Referential axis of symmetry	
--	------------------------------	--

Rev.	Date:	Modifications:

Rev.	Date:	Modifications:



13 Rue Levacher Cintrat
Parc de la Fontaine de Jouvance
91462 MARCOUSSIS CEDEX
- FRANCE -
Tel: +33 (0)1.69.63.69.63
Fax: +33 (0)1.69.63.69.64
Email: application@l-acoustics.com

These drawing are the property of L-ACOUSTICS. All reproduction, copy or communication is forbidden without written permission.