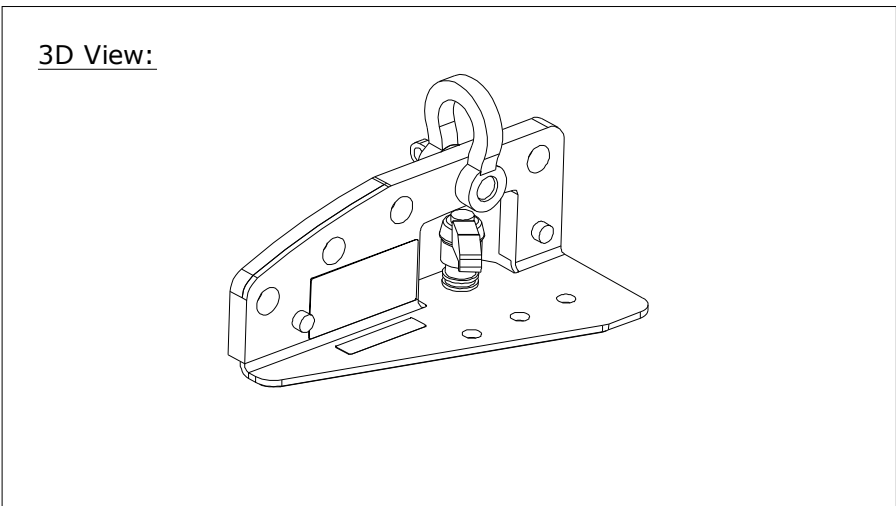
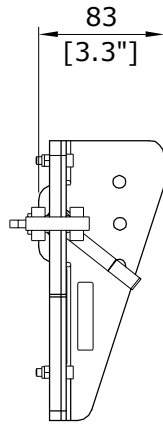
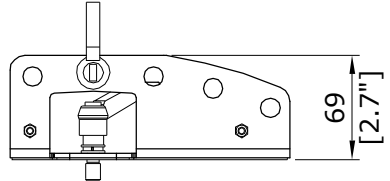
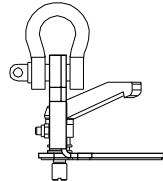
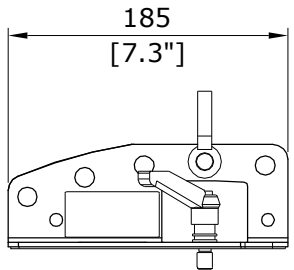
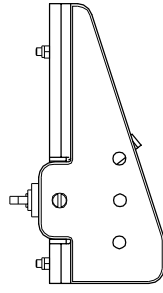


K J H G F E D C B A

10
9
8
7
6
5
4
3
2

10
9
8
7
6
5
4
3
2



	Referential axis of symmetry	
Drawn by:	DAVID.LY	
Date:	2015-09-08	
Scale:	1/5	Dim: mm / inches
Format:	A4	Weight (Kg/lbs): 1.1Kg/2.4lbs



13 Rue Levacher Cintrat
 Parc de la Fontaine de Jouvance
 91462 MARCOUSSIS CEDEX
 - FRANCE -
 Tel: +33 (0)1.69.63.69.63
 Fax: +33 (0)1.69.63.69.64
 Email: application@l-acoustics.com

Rev:	Date:	Modifications:

X-BAR

RIGGING ELEMENT

These drawing are the property of L-ACOUSTICS. All reproduction, copy or communication is forbidden without written permission.

K J H G F E D C B A