

J

I

H

G

F

E

D

C

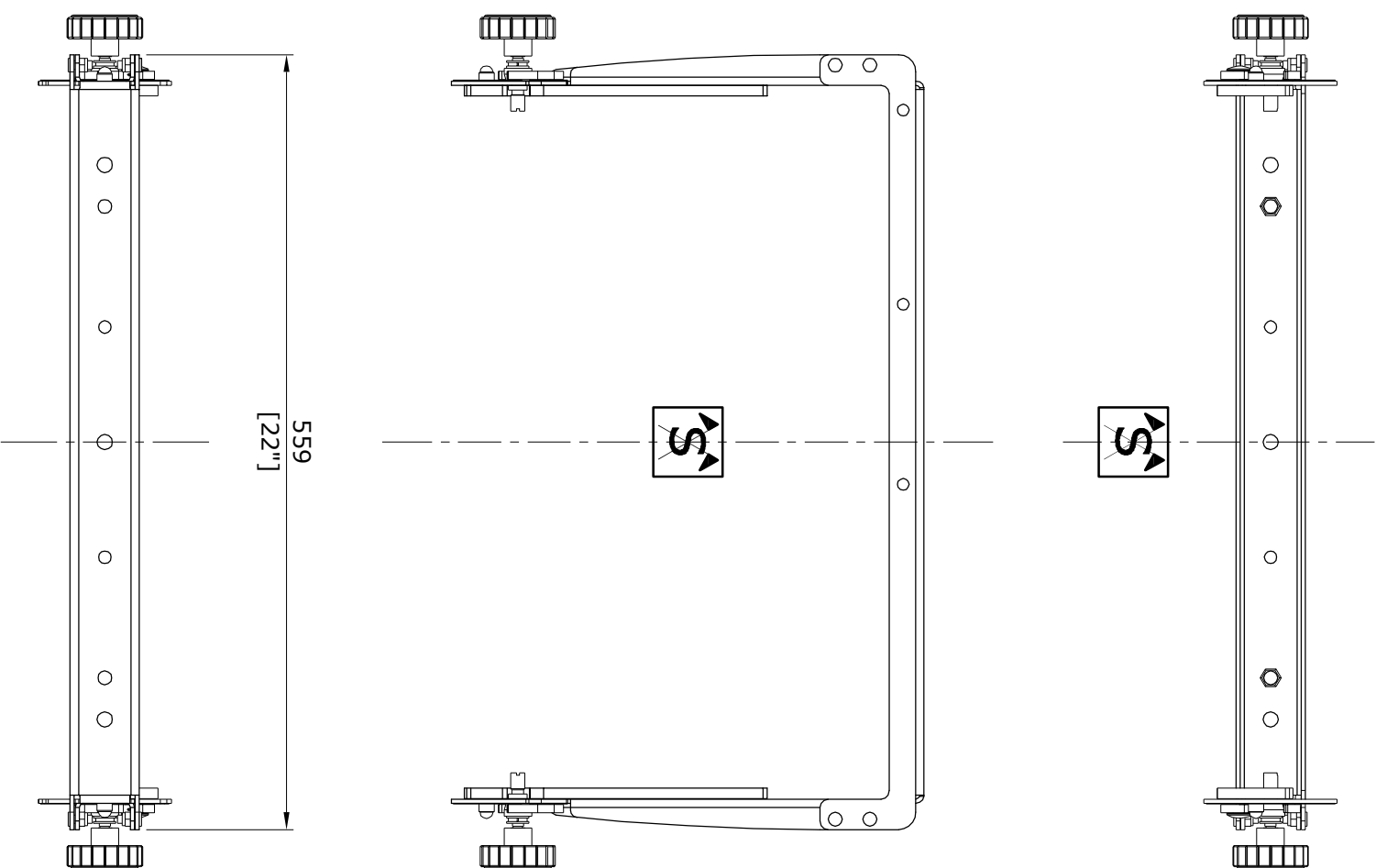
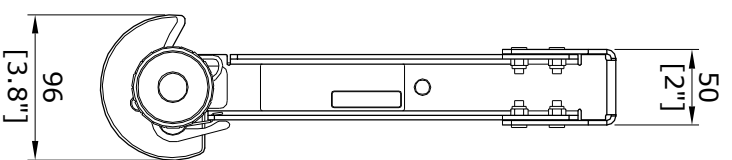
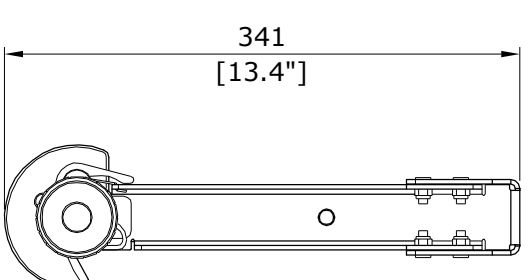
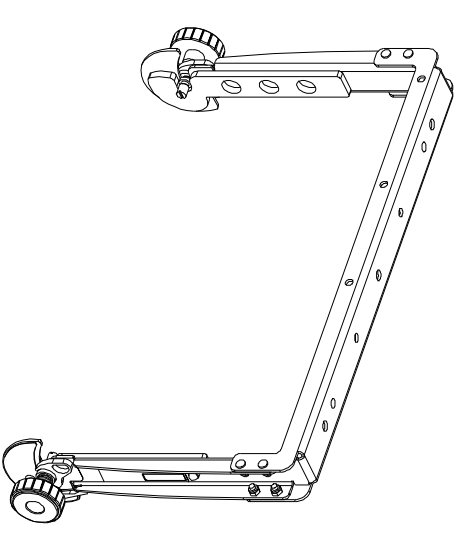
B

A

RIGGING ELEMENT

X-UL12

3D View



Drawn by:

DAVID.LY

Date:

2015-09-08

Scale:

1/5 Dim: mm / inches

Format:

A3 Weight (Kg/lbs): 2.6Kg/5.7lbs

Referential axis of symmetry



Rev: _____ Date: _____

Modifications: _____



13 Rue Lavacher Citrat
Parc de la Fontaine de Jouvence
91462 MARCOUSSIS CEDEX
- FRANCE -
Tel: +33 (0)1.69.63.69.63
Fax: +33 (0)1.69.63.69.64
Email: application@l-acoustics.com

These drawings are the property of L-ACOUSTICS. All reproduction, copy or communication is forbidden without written permission.

1

2

3

4

5

6

7

8

9

10

J

I

H

G

F

E

D

C

B

A

1

2

3

4

5

6

7

8

9

10