

J

I

H

G

F

E

D

C

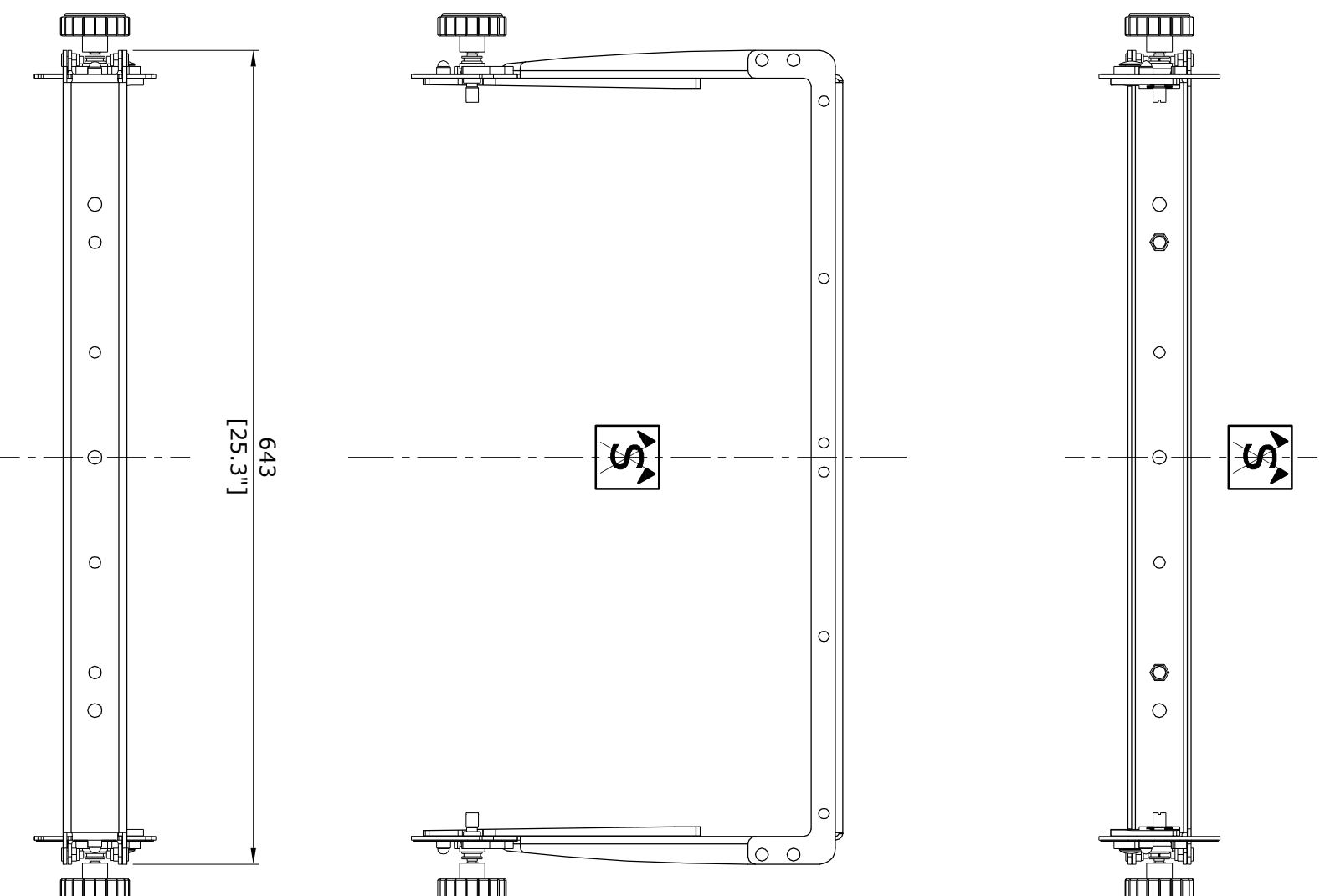
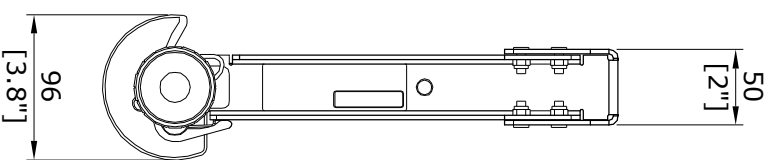
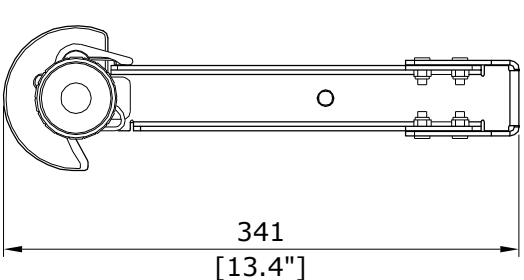
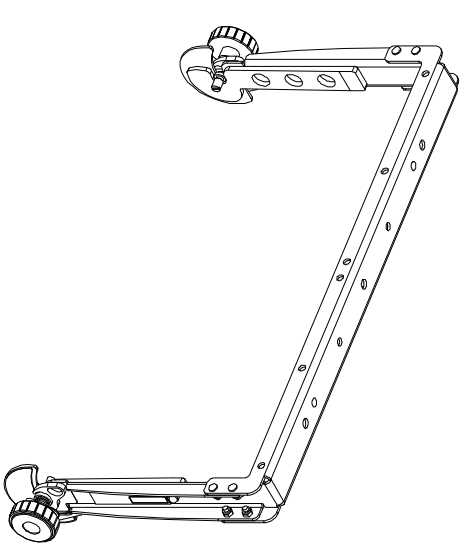
B

A

RIGGING ELEMENT

X-ULL15

3D View



Drawn by:	DAVID.LY	
Date:	2015-09-08	
Scale:	1/5	Dim: mm / inches
Format:	A3	Weight (Kg/lbs): 2.8Kg/6.2lbs
Referential axis of symmetry		

Rev:	Date:	Modifications:



13 Rue Lavacher Cirtat
 Parc de la Fontaine de Jouvance
 91462 MARCOUSSIS CEDEX
 - FRANCE -
 Tel: +33 (0)1.69.63.69.63
 Fax: +33 (0)1.69.63.69.64
 Email: application@l-acoustics.com

These drawings are the property of LACOUSTICS. All reproduction, copy or communication is forbidden without written permission.

1

2

3

4

5

6

7

8

9

10

J

I

H

G

F

E

D

C

B

A

1

2

3

4

5

6

7

8

9

10