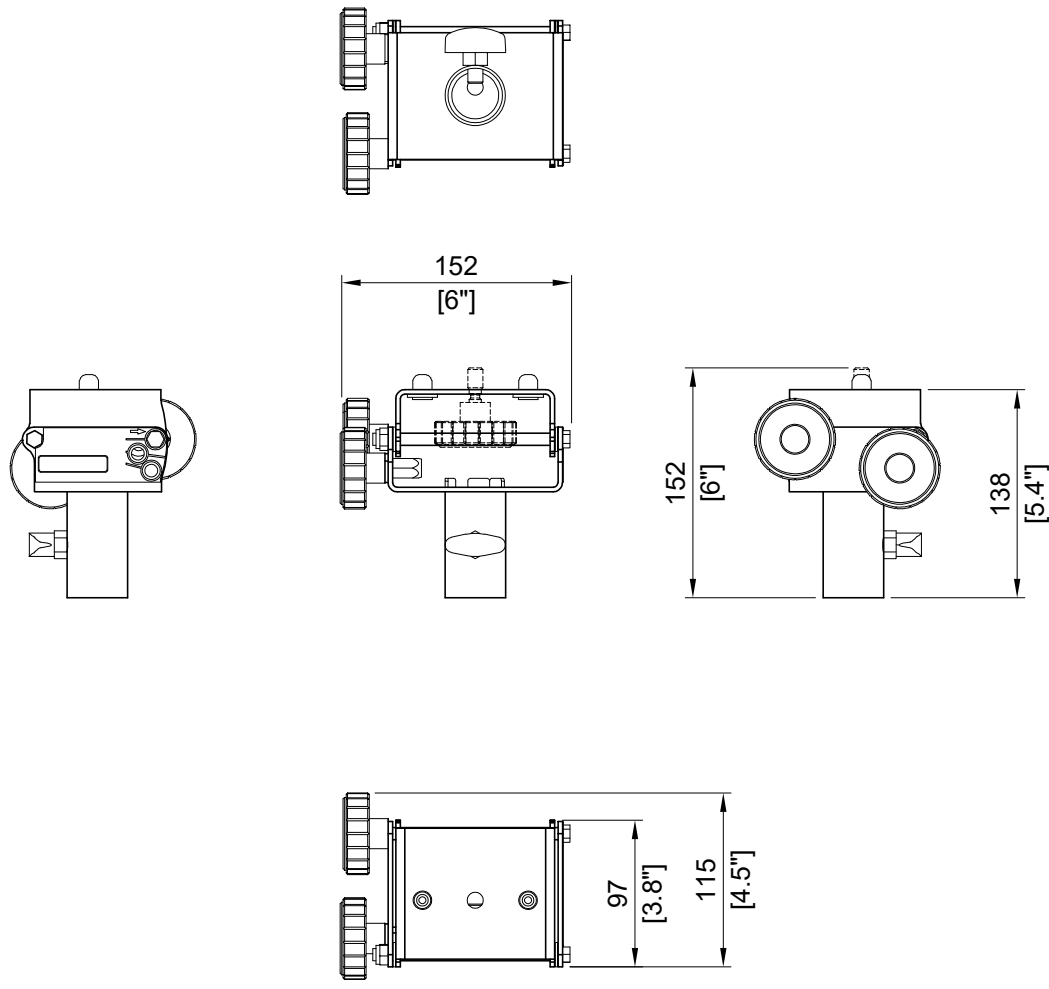


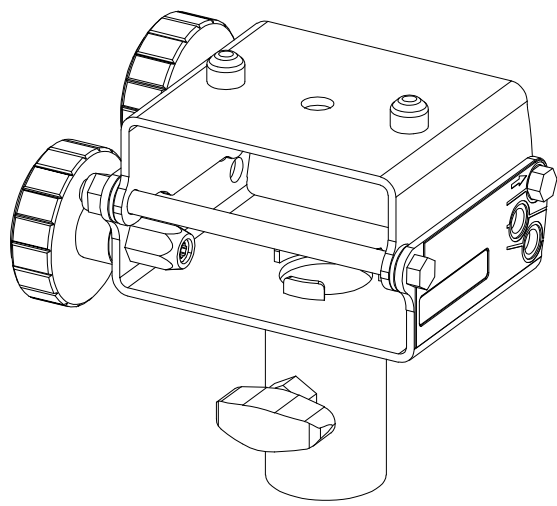
K J H G F E D C B A

10  
9  
8  
7  
6  
5  
4  
3  
2

10  
9  
8  
7  
6  
5  
4  
3  
2



3D View



|           |                              |                                  |
|-----------|------------------------------|----------------------------------|
|           | Referential axis of symmetry |                                  |
| Drawn by: | DAVID.LY                     |                                  |
| Date:     | 2019-09-05                   |                                  |
| Scale:    | 1/2                          | Dim: mm / inches                 |
| Format:   | A4                           | Weight (Kg/lbs): 1.1 kg / 2.4 lb |



13 Rue Levacher Cintrat  
 Parc de la Fontaine de Jouvance  
 91462 MARCOUSSIS CEDEX  
 - FRANCE -  
 Tel: +33 (0)1.69.63.69.63  
 Fax: +33 (0)1.69.63.69.64  
 Email: application@l-acoustics.com

|      |       |                |
|------|-------|----------------|
| Rev: | Date: | Modifications: |
|      |       |                |
|      |       |                |
|      |       |                |

# A-MOUNT

# RIGGING ELEMENT

These drawing are the property of L-ACOUSTICS. All reproduction, copy or communication is forbidden without written permission.

K J H G F E D C B A