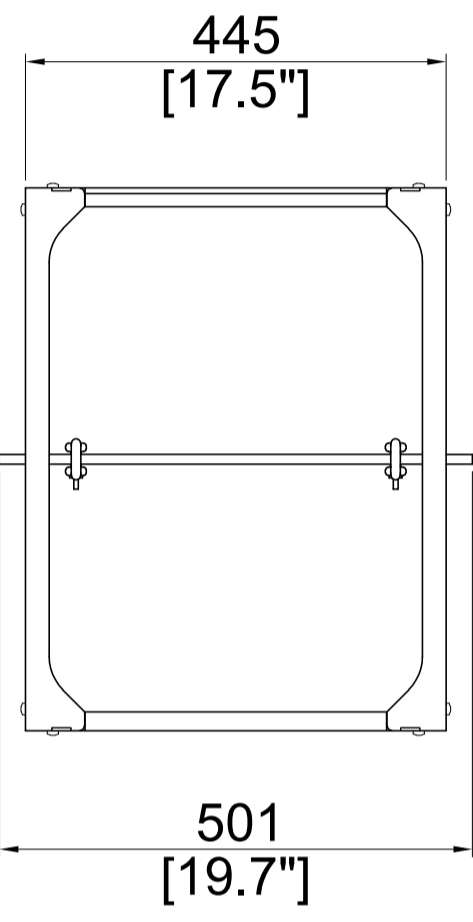
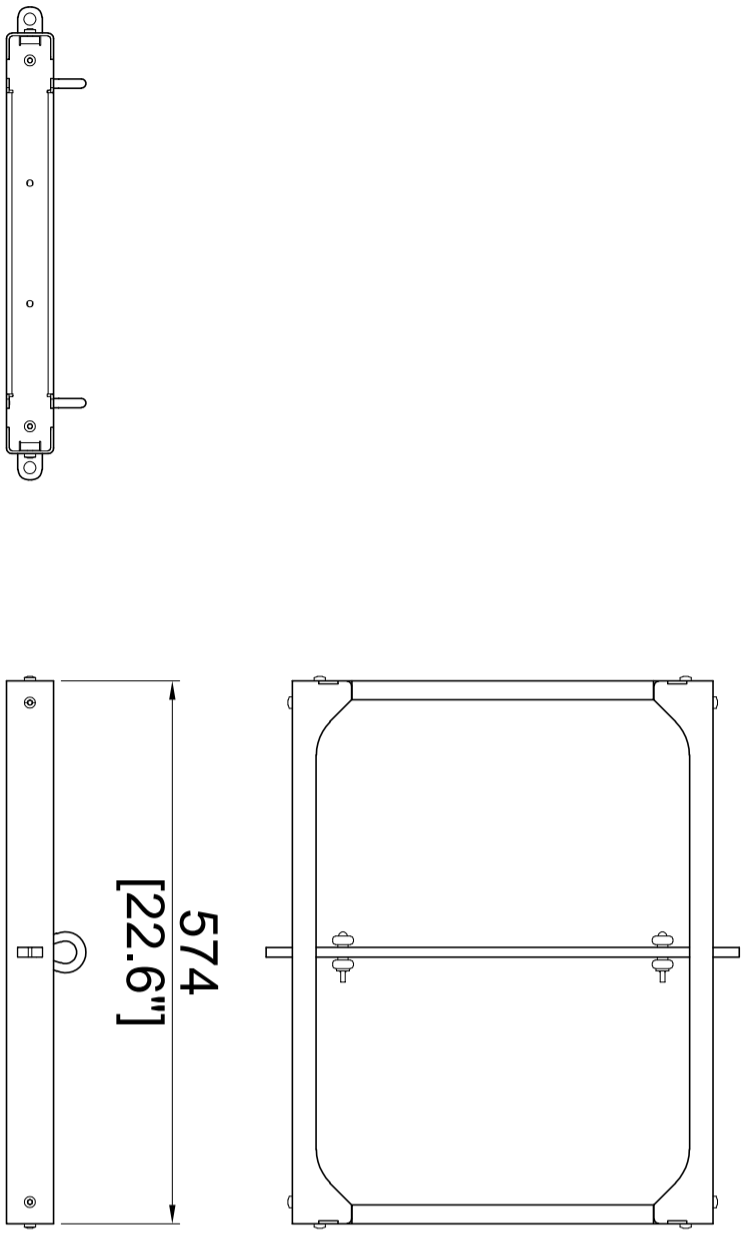
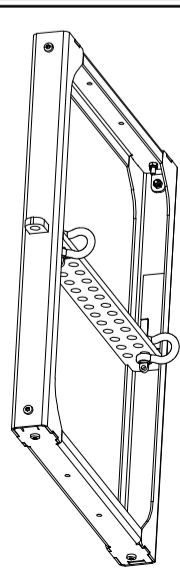


RIGGING ELEMENT
A10i-BUMP

3D View



50
[2\"]

Drawn by:	DAVID.LY
Date:	2020-03-19
Scale:	1/8
Format:	A3
Weight (kg/lbs):	6.5 kg / 14 lb
Referential axis of symmetry	
Rev:	Date:
Modifications:	



13 Rue Levaucher Central
Parc de la Fontaine de Jourvaux
91462 MARCOUSSIS CEDEX
- FRANCE -
Tel: +33 (0)1 69 63 69 63
Fax: +33 (0)1 69 63 69 64
Email: application@l-acoustics.com

These drawings are the property of LACOUSTICS. All reproduction, copy or communication is forbidden without written permission.