

1

2

3

4

5

H

H

G

G

F

F

E

E

D

D

C

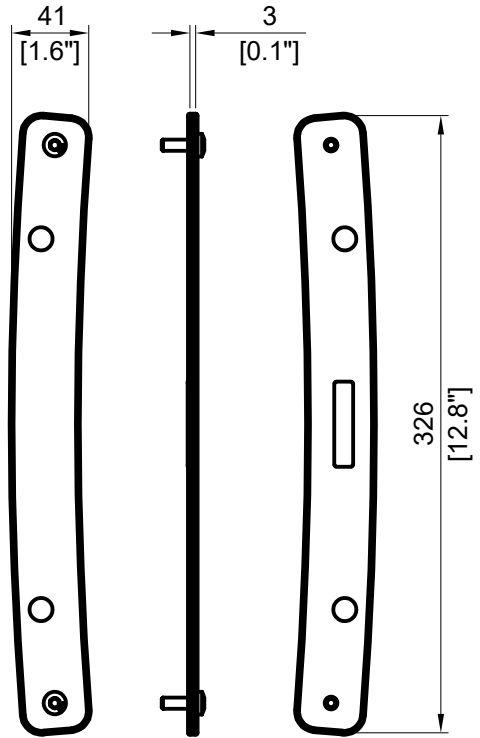
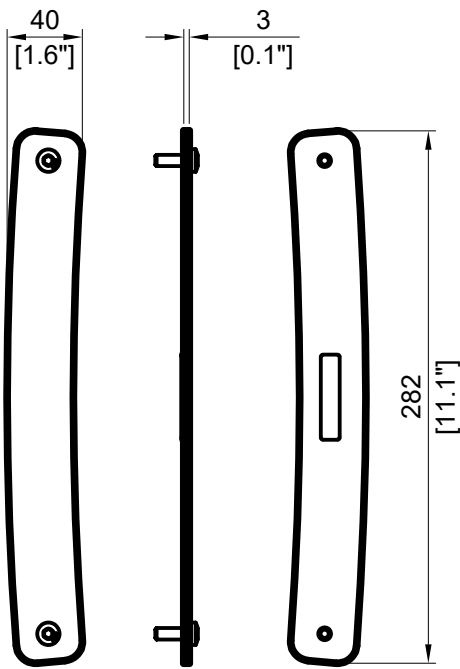
C

B

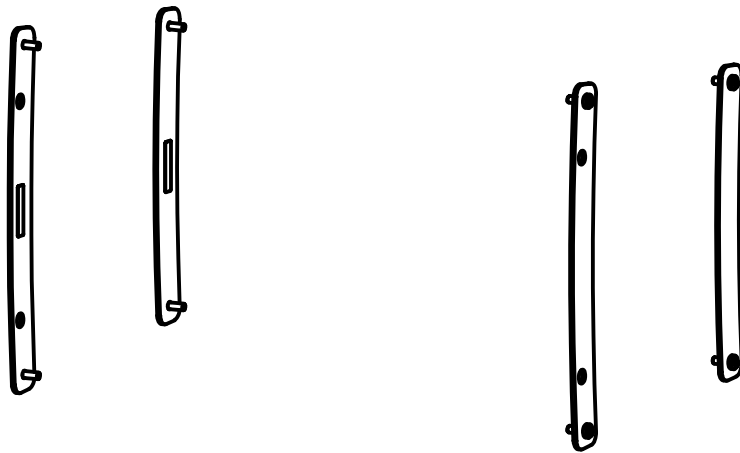
B

A

A



3D View



### RIGGING ELEMENT

## A10i FOCUS-ENDLINK



Drawn

By: DAVID.LY  
Date: 2021-12-21

Format:  
A4

Scale:  
1:4

Weight (Kg/lbs):  
1.04 Kg / 2.3 lb

Dimension:  
mm / inches



Referential axis of symmetry



These drawing are the property of L-ACOUSTICS. All reproduction, copy or communication is forbidden without written permission.

1

2

3

4

5