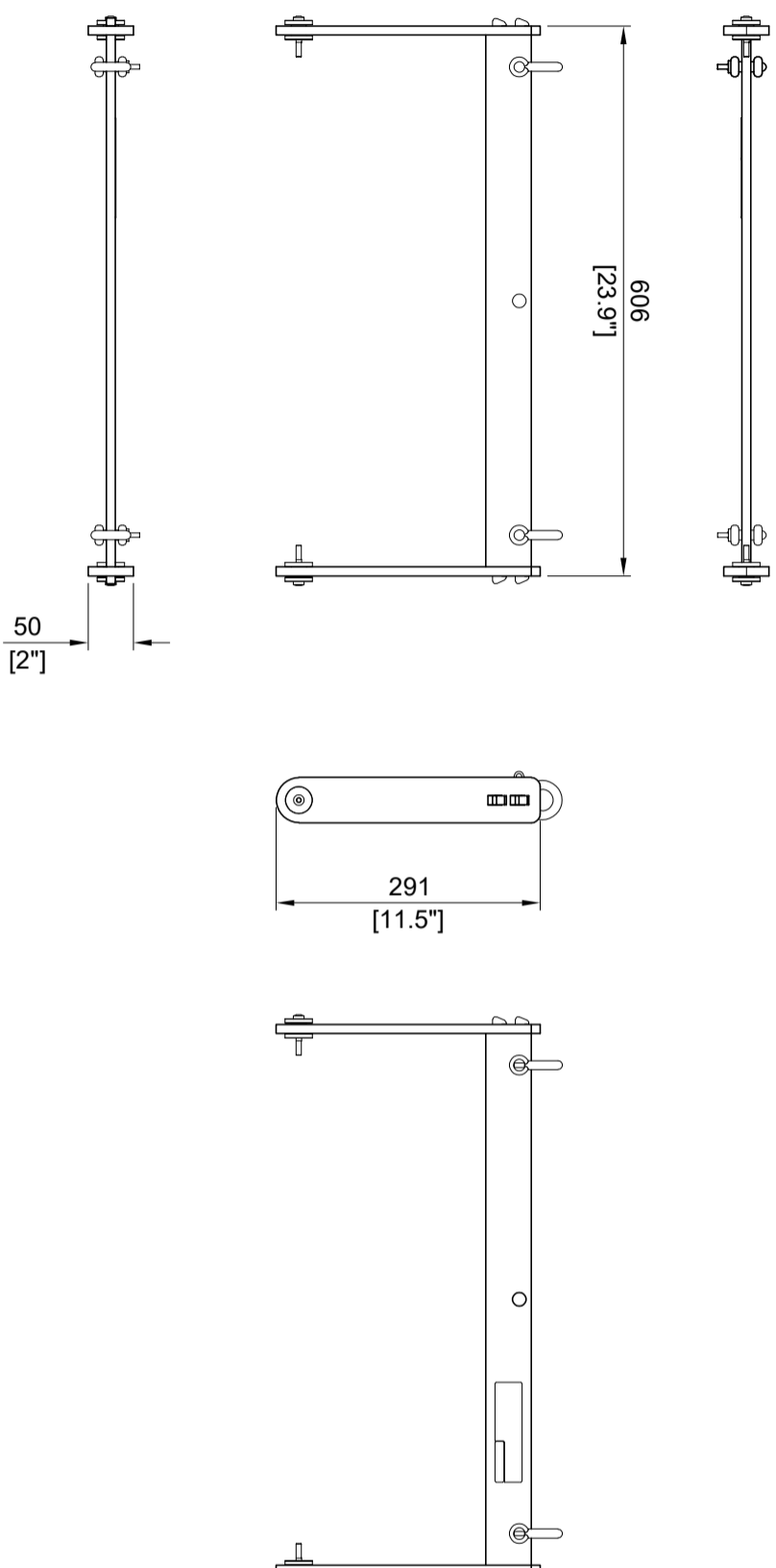
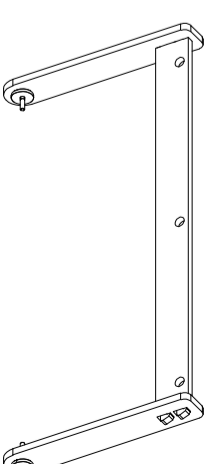
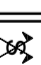


RIGGING ELEMENT A10i-RIGBAR

3D View



Drawn by: DAVID.LY
 Date: 2020-03-20
 Scale: 1/8 Dim: mm / inches
 Format: A3 Weight (kg/lbs): 4.9 kg / 11 lb

 Referential axis of symmetry



| Rev: | Date: | Modifications: |
|------|-------|----------------|
| | | |
| | | |
| | | |
| | | |
| | | |
| | | |
| | | |
| | | |
| | | |
| | | |
| | | |



13 Rue Levaucher Central
 Parc de la Fontaine de Jourvaux
 91462 MARCOUSSIS CEDEX
 - FRANCE -
 Tel: +33 (0)1 69 63 69 63
 Fax: +33 (0)1 69 63 69 64
 Email: application@l-acoustics.com

These drawings are the property of LACOUSTICS. All reproduction, copy or communication is forbidden without written permission.