

1

2

3

4

5

H

H

G

G

F

F

E

E

D

D

C

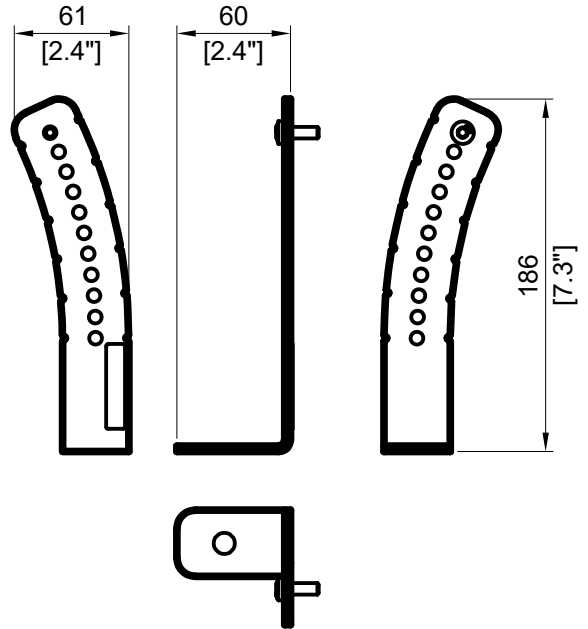
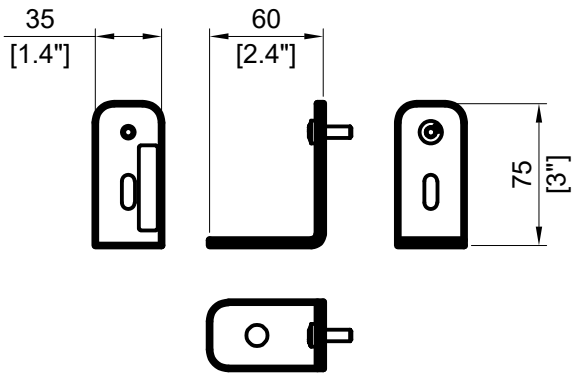
C

B

B

A

A



3D View



RIGGING ELEMENT

A10i-TILTBRACKET



Drawn

By: DAVID.LY
Date: 2021-12-21

Format:
A4

Scale:
1:4

Weight (Kg/lbs):
0.68 Kg / 1.5 lb

Dimension:
mm / inches



Referential axis of symmetry



These drawing are the property of L-ACOUSTICS. All reproduction, copy or communication is forbidden without written permission.

1

2

3

4

5