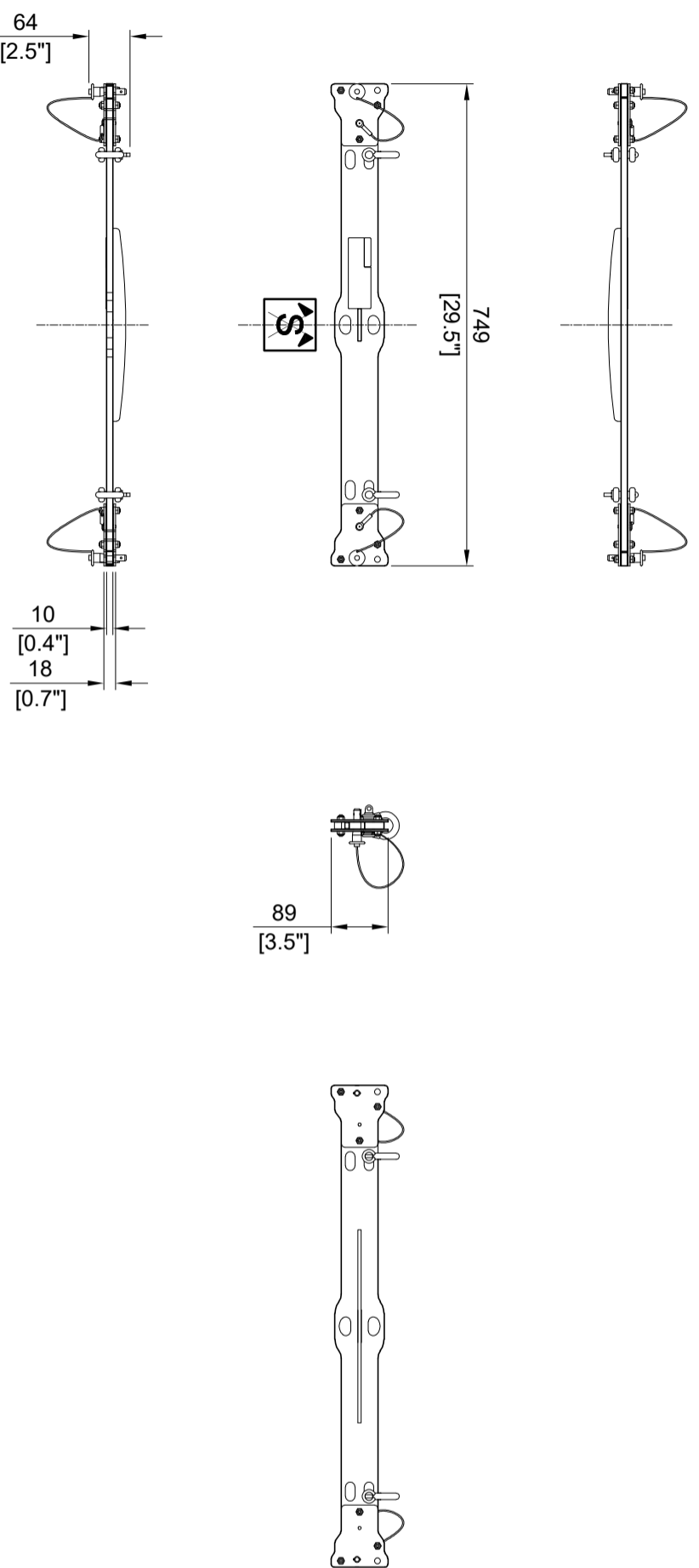
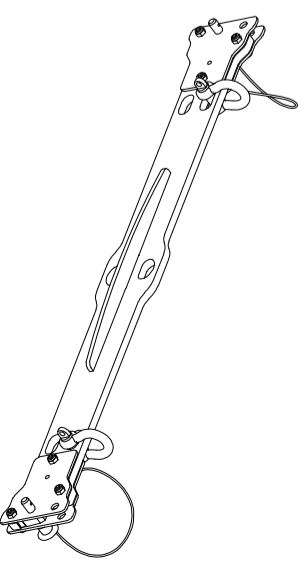


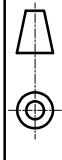
# RIGGING ELEMENT A15-RIGBAR

3D View



Drawn by: DAVID LY  
Date: 2019-04-26  
Scale: 1/10 Dim: mm / inches  
Format: A3 Weight (kg/lbs): 4.6 Kg / 10.1 lb

Referential axis of symmetry



Rev:	Date:	Modifications:



13 Rue Levecher Central  
Parc de la Fontaine de Jourvaux  
91462 MARCOUSSIS CEDEX  
- FRANCE -  
Tel: +33 (0)1.69.63.69.63  
Fax: +33 (0)1.69.63.69.64  
Email: application@l-acoustics.com

These drawings are the property of LACOUSTICS. All reproduction, copy or communication is forbidden without written permission.