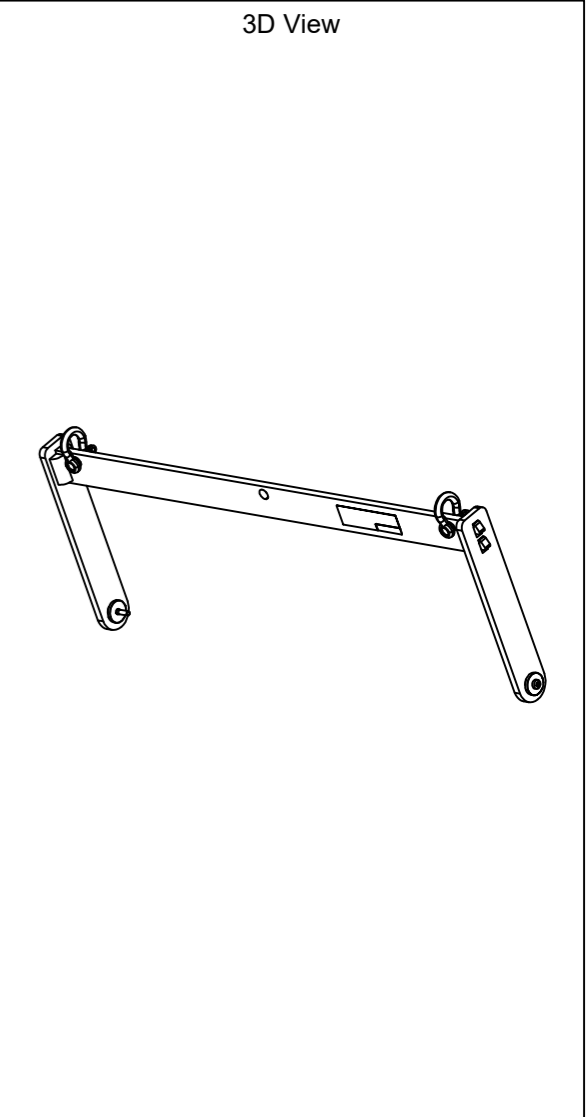


RIGGING ELEMENT
A15i-RIGBAR



Drawn by:	DAVID.LY		
Date:	2020-03-23		
Scale:	1/5	Dim:	mm / inches
Format:	\$	Weight (Kg/lbs):	5.6 kg / 12 lb

	Referential axis of symmetry	
--	------------------------------	--

Rev.	Date:	Modifications:

	13 Rue Levacher Cintrat Parc de la Fontaine de Jouvence 91462 MARCOUSSIS CEDEX - FRANCE -
	Tel: +33 (0)1.69.63.69.63
	Fax: +33 (0)1.69.63.69.64
	Email: application@l-acoustics.com

These drawing are the property of L-ACOUSTICS. All reproduction, copy or communication is forbidden without written permission.