

10

J

I

H

G

F

E

D

C

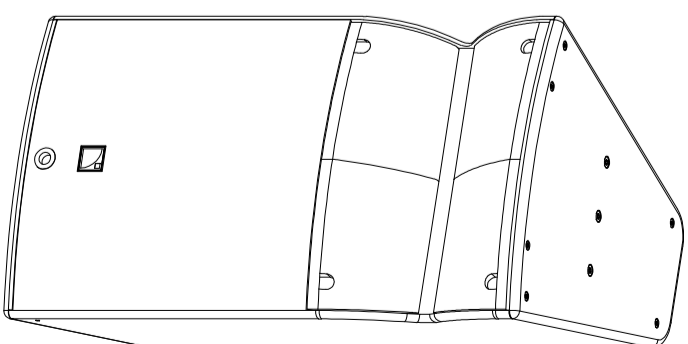
B

A

**LOUDSPEAKER ENCLOSURE****A15i WIDE**

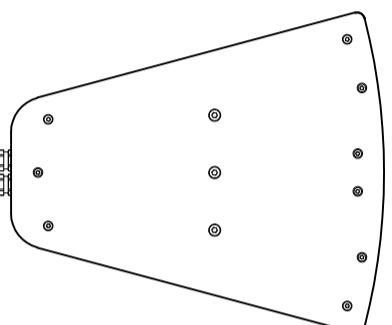
10

3D View



9

9

424  
[16.7"]

8

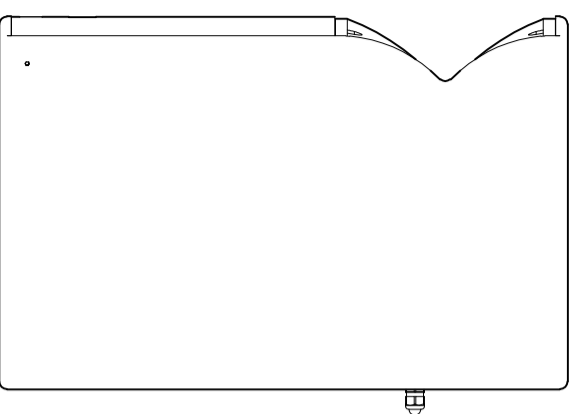
8

Connectors: 1 x 4-point terminal block  
with push-in connection

7

752  
[29.6"]

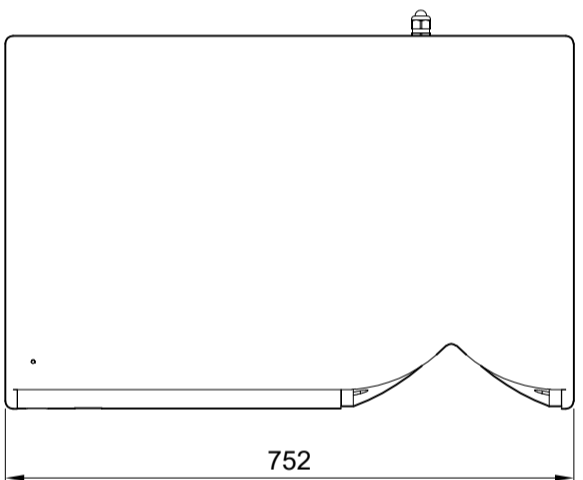
7



6

6

5



5

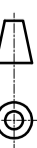
5

4

Drawn by: DAVID.LY  
Date: 2020-02-26  
Scale: 1/10 Dirn: mm / inches  
Format: A3 Weight (kg/lbs): 29 Kg / 64 lb



Referential axis of symmetry

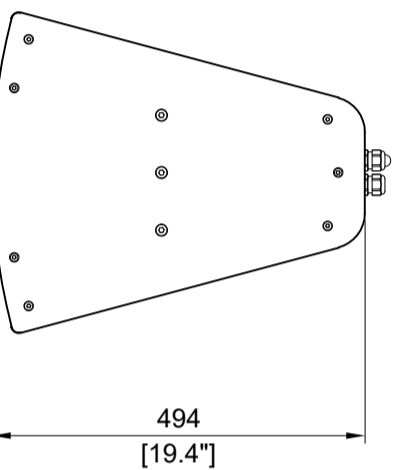


3

Rev.	Date:	Modifications:

3

2

494  
[19.4"]

2

2

1



13 Rue Levaucher Citral  
Parc de la Fontaine de Jourvaux  
91462 MARCOUSSIS CEDEX  
- FRANCE -  
Tel: +33 (0)1 69 63 69 63  
Fax: +33 (0)1 69 63 69 64  
Email: application@l-acoustics.com

1

These drawing are the property of LACOUSTICS. All reproduction, copy or communication is forbidden without written permission.

J

I

H

G

F

E

D

C

B

A