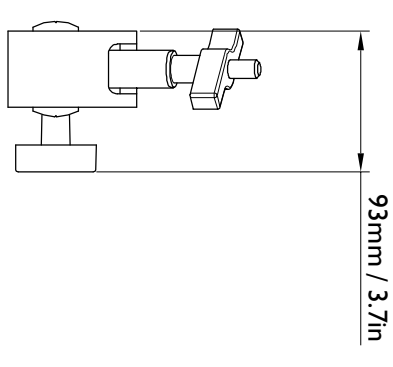
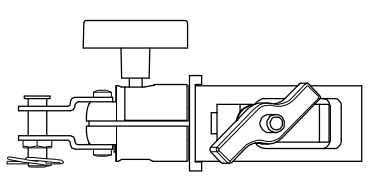
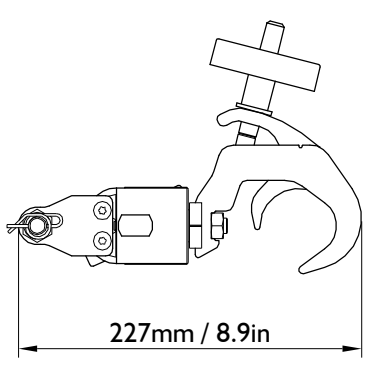
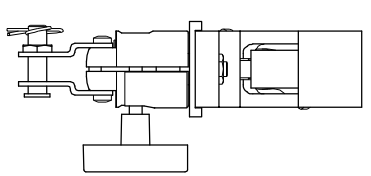
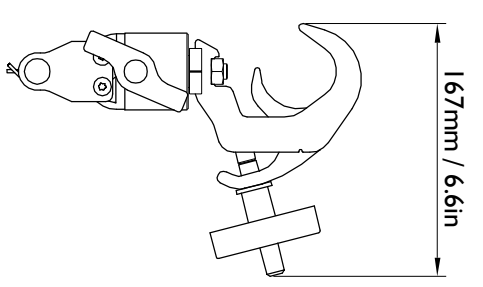
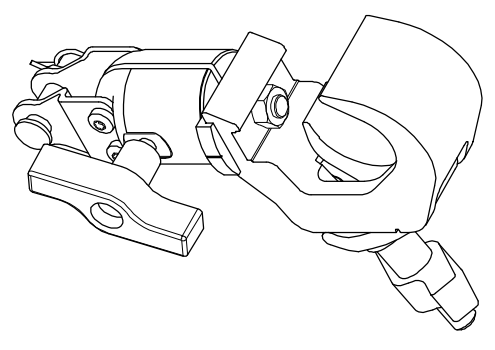


RIGGING ELEMENT
CLAMP250

3D View



Drawn by: DAVID.LY
Date: 2014-01-09
Scale: 1/5 Dim: mm / inches
Format: A3 Weight (kg/lbs): 1.8Kg / 4lbs

Referential axis of symmetry

Revision:	Date:	Modification:



13 Rue Levacher-Girtrac
 Parc de la Fontaine de Jouvence
 91462 MARCOUSSIS CEDEX
 - FRANCE -
 Tel: +33 (0)1.69.63.69.63
 Fax: +33 (0)1.69.63.69.64
 Email: application@l-acoustics.com

These drawings are the property of LACOUSTICS. All reproduction, copy or communication is forbidden without written permission.