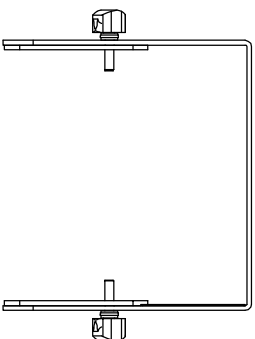
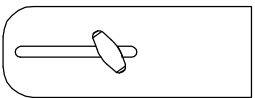
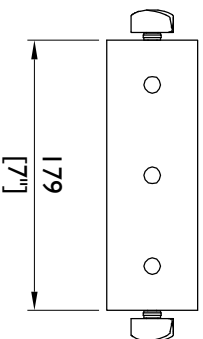
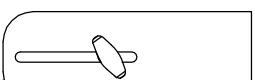


60
[2.4"]

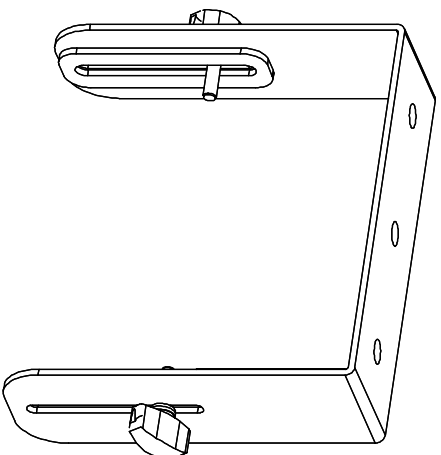



164
[6.5"]



179
[7"]

3D View



 Referential axis of symmetry



Drawn by: DAVID LY

Date: 2014-06-02

Scale: 1/5 Dim: mm / inches

Format: A4 Weight (kg/lbs): 0,7kg / 1,55lbs



13 Rue Lavacher Chirat
Parc de la Fontaine de Jouvence
91462 MARCOUSSIS CEDEX
- FRANCE -
Tel: +33 (0)1 69 63 69 63
Fax: +33 (0)1 69 63 69 64
Email: application@l-acoustics.com

Rev:	A	2014-06-02	Added the screws
Date:			
Modifications:			

ETRS

RIGGING ELEMENT

These drawings are the property of LACOUSTICS. All reproduction, copy or communication is forbidden without written permission.