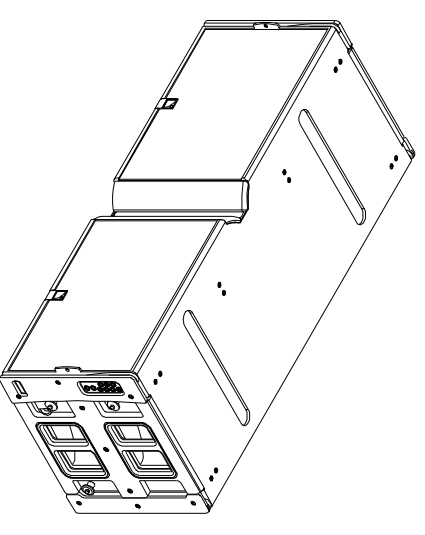



LOUDSPEAKER ENCLOSURE


KI

3D View

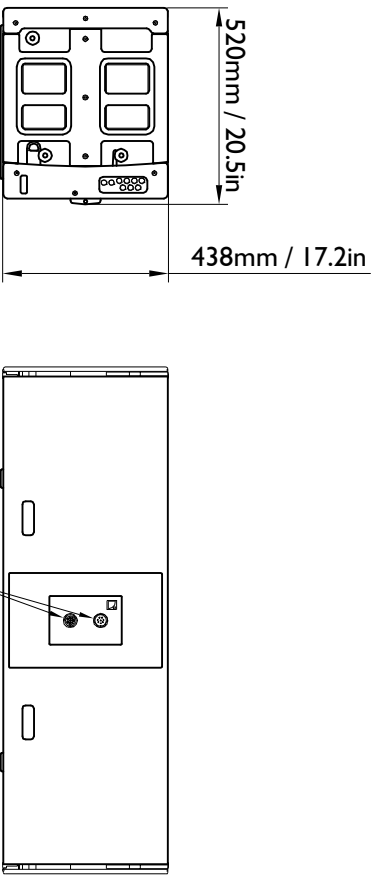
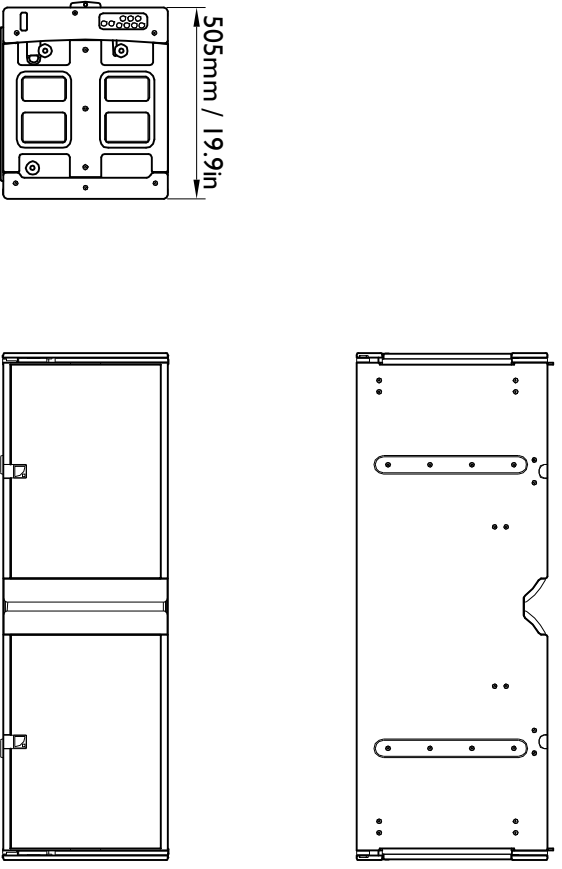


Drawn by: DAVID.LY
 Date: 2014-01-09
 Scale: 1/20 Dim: mm / inches
 Format: A3 Weight (kg/lbs): 106 Kg / 234lbs
 Referential axis of symmetry 

Revision:	Date:	Modification:



13 Rue Levacher-Girtrac
 Parc de la Fontaine de Jouvence
 91462 MARCOUSSIS CEDEX
 - FRANCE -
 Tel: +33 (0)1.69.63.69.63
 Fax: +33 (0)1.69.63.69.64
 Email: application@l-acoustics.com



Input / Link connectors:
2 x 8-points PA-COM®

These drawings are the property of LACOUSTICS. All reproduction, copy or communication is forbidden without written permission.