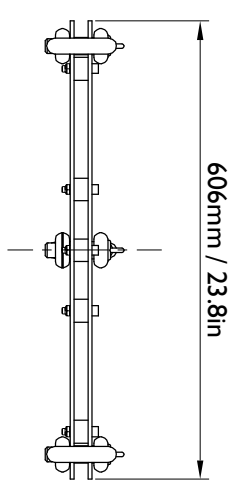
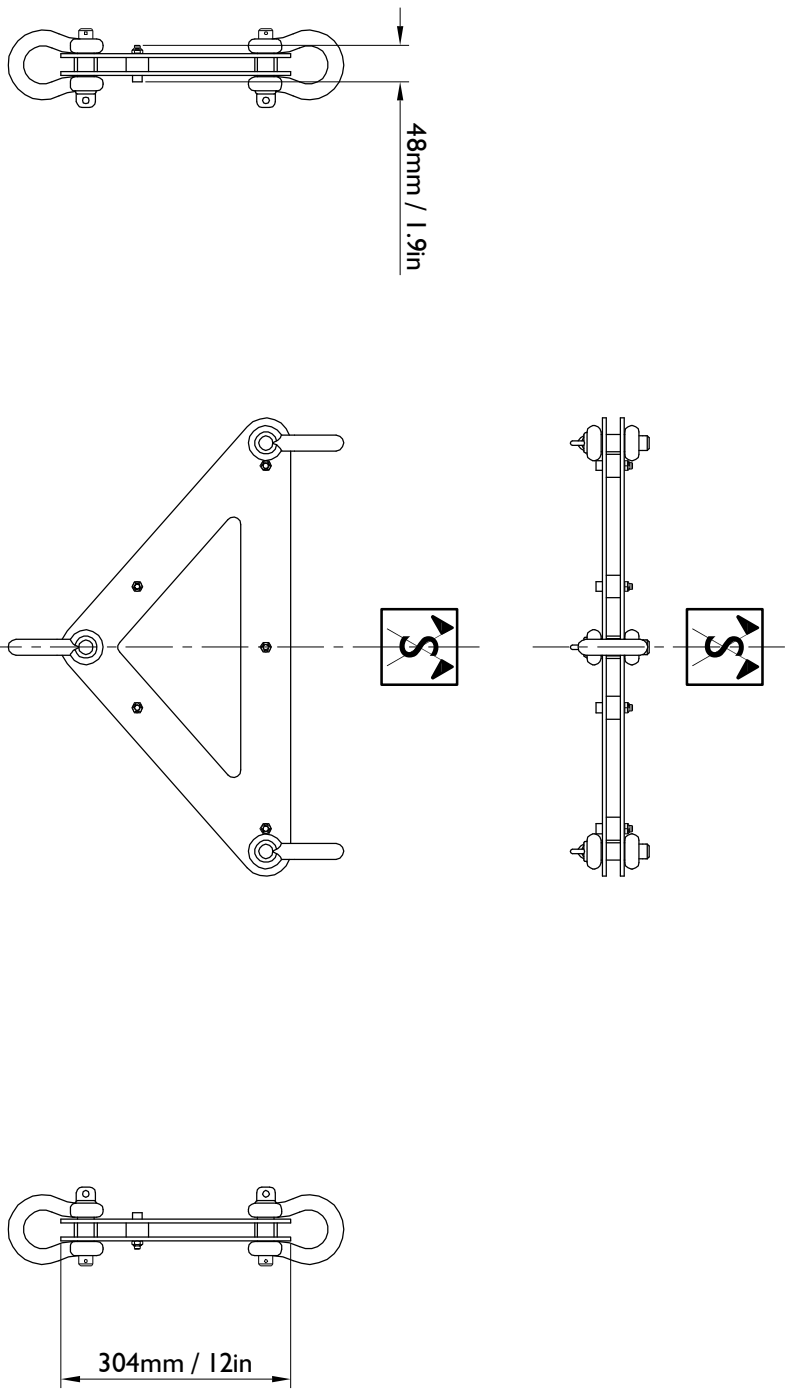
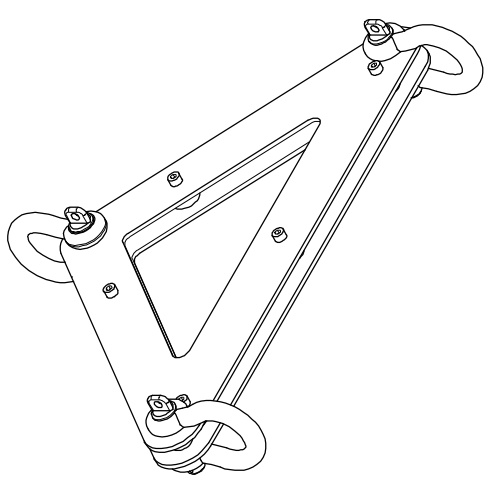


RIGGING ELEMENT
K1-DELTA

3D View



Drawn by: DAVID.LY
Date: 2014-01-10
Scale: 1/10 Dim: mm / inches
Format: A3 Weight (kg/lbs): 6.5Kg / 14lbs

Referential axis of symmetry

Revision:	Date:	Modification:



13 Rue Levacher-Girtrac
Parc de la Fontaine de Jouvence
91462 MARCOUSSIS CEDEX
- FRANCE -
Tel: +33 (0)1.69.63.69.63
Fax: +33 (0)1.69.63.69.64
Email: application@l-acoustics.com

These drawings are the property of LACOUSTICS. All reproduction, copy or communication is forbidden without written permission.