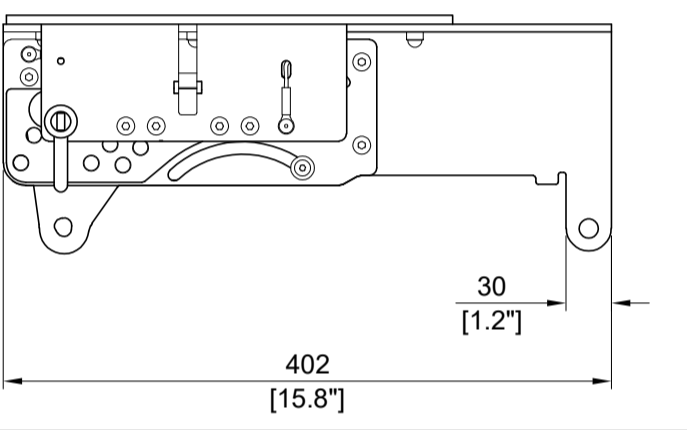
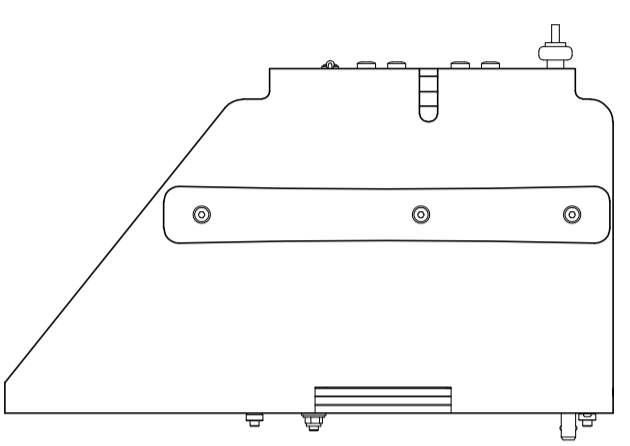
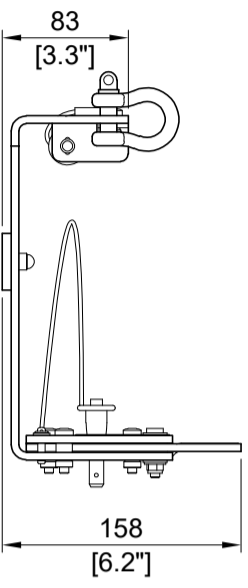
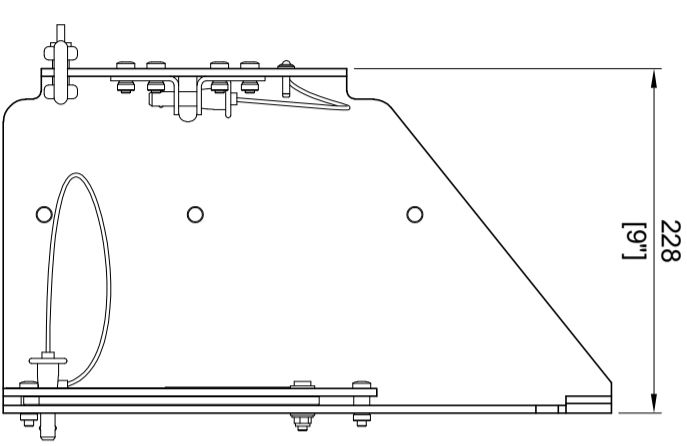
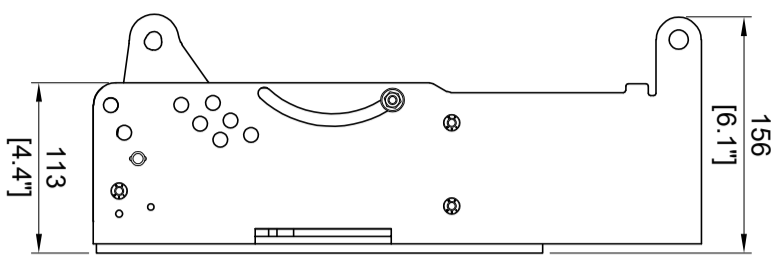
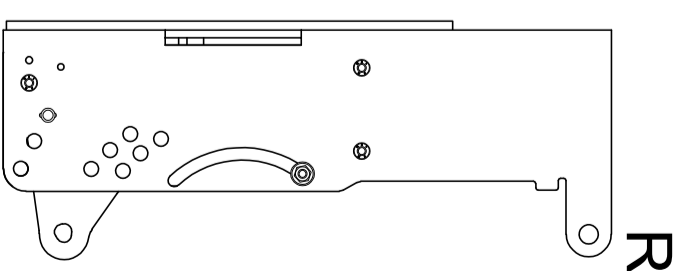
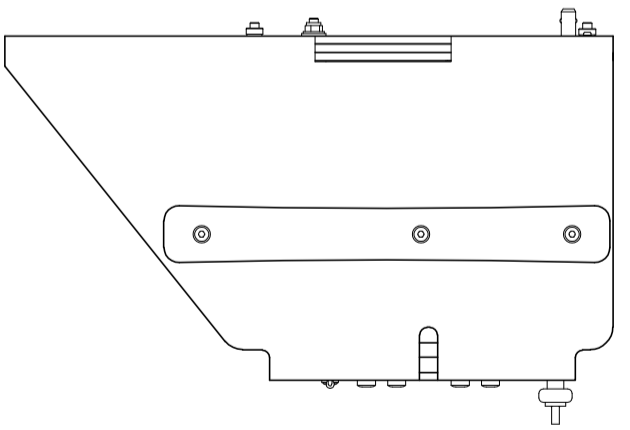
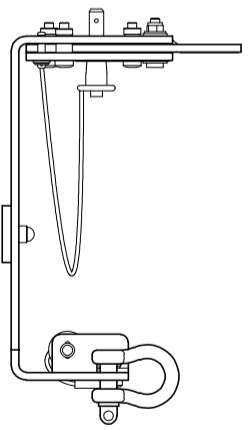
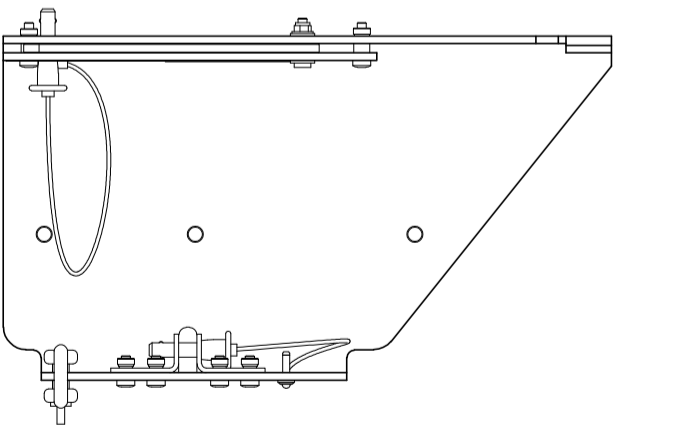
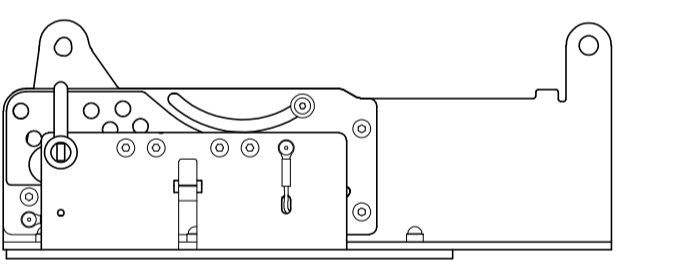


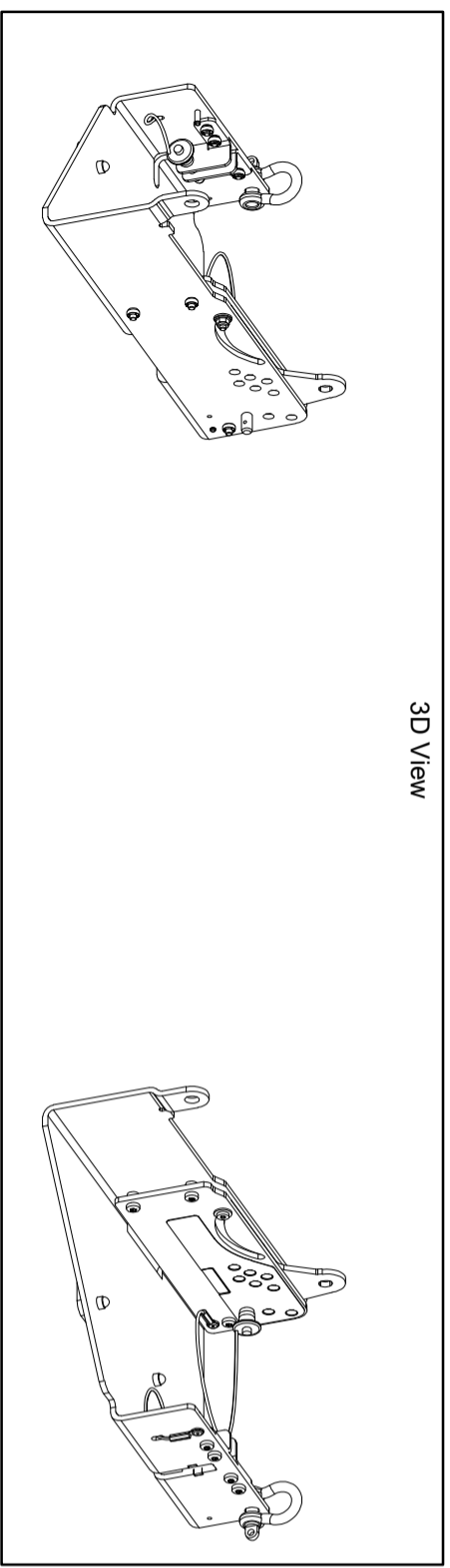
LEFT



RIGHT



3D View



RIGGING ELEMENT		K3-TILT	
By: DAVID LY	Format: A3	Scale: 1:5	Weight (kg/lbs): 14 Kg / 31 lb
Drawn Date: 2020-12-02	Dimension: mm / inches	Referential axis of symmetry	

These drawings are the property of L&C JUSTICE. All reproduction, copy or communication is forbidden without written permission.

