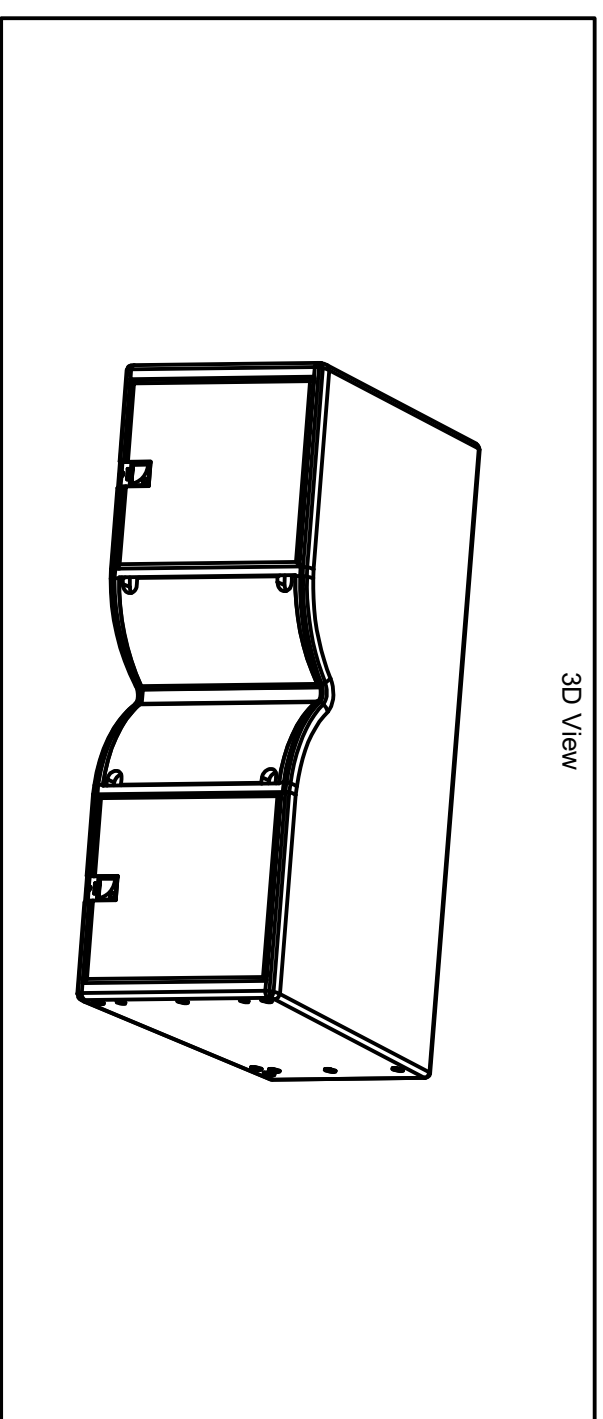
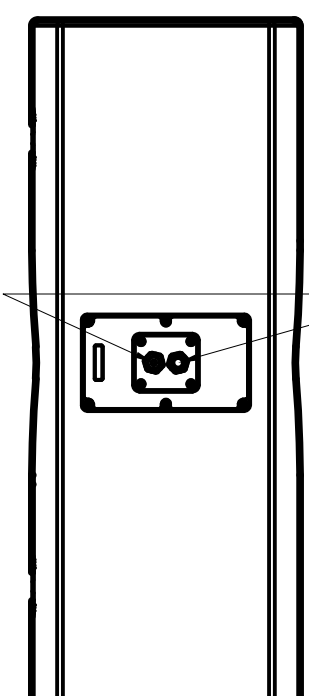


Connectors: 2 x 4-point terminal blocks
with push-in connection



3D View

LOUDSPEAKER ENCLOSURE

K3i



By:	DAVID.LY	Format:	A3	Scale:	1:10	Weight (kg/lbs):	35.3 Kg / 77.8 lbs	Dimension:	mm / inches	Referential axis of symmetry	
-----	----------	---------	----	--------	------	------------------	--------------------	------------	-------------	------------------------------	--

This drawing and the property of L&D JUSTICE. All reproduction, copy or communication is forbidden without written permission.

