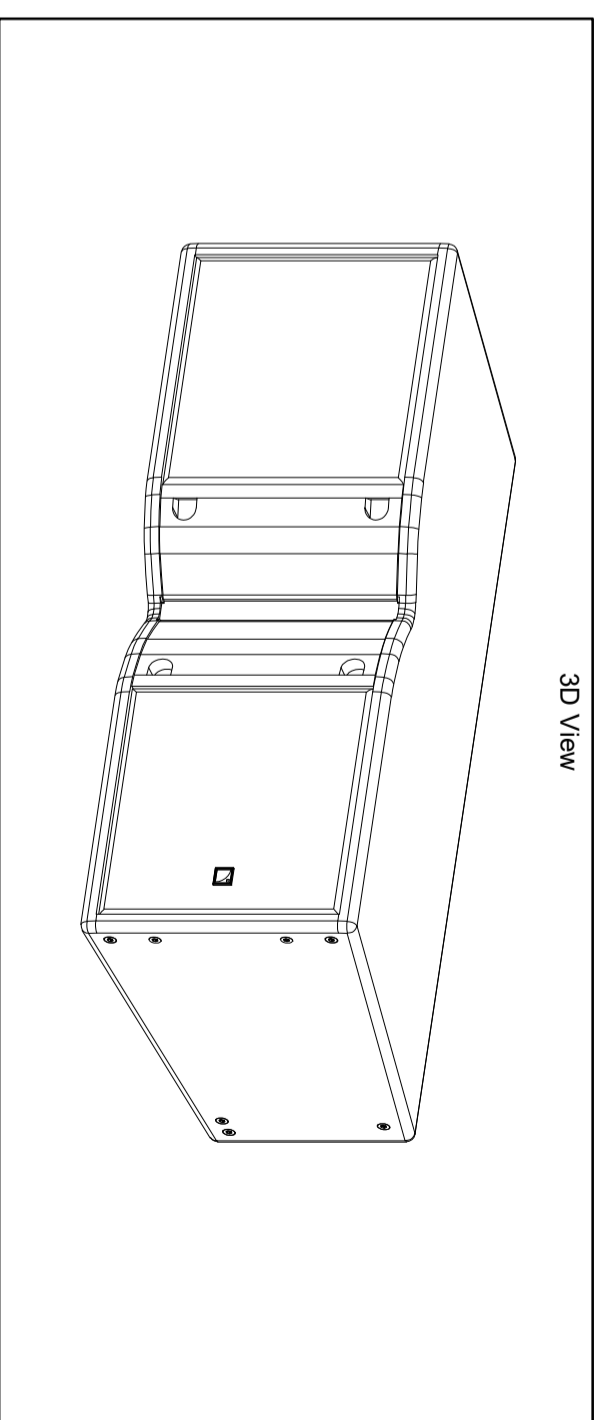
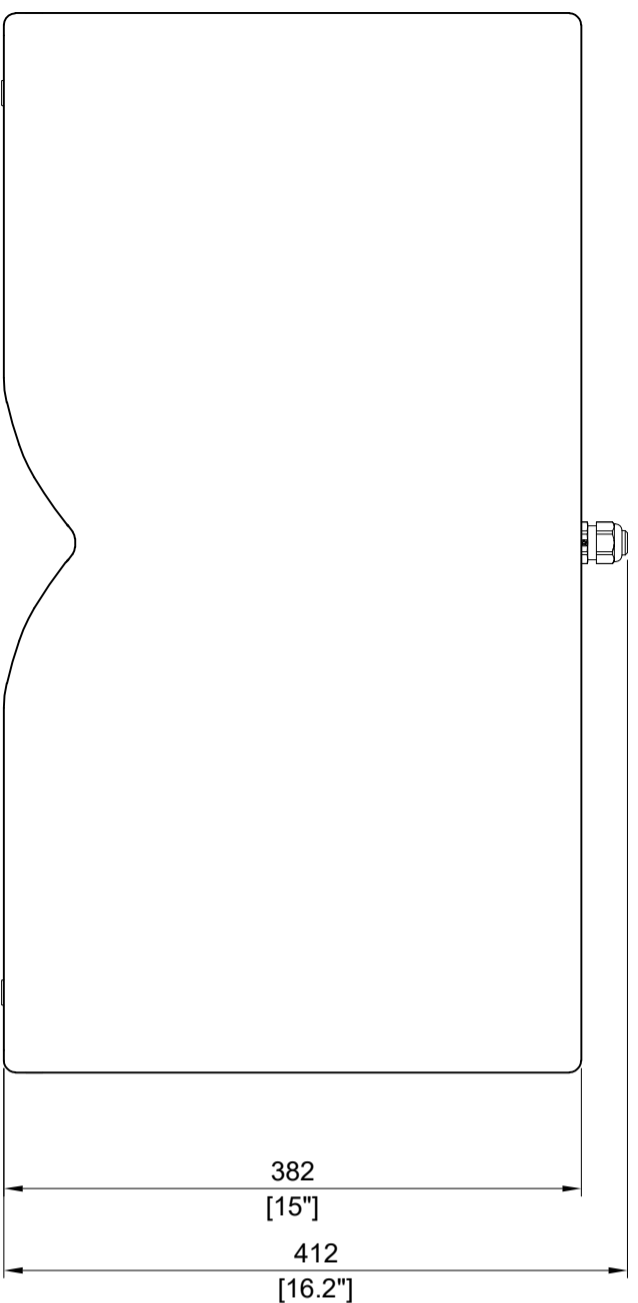


IN: 1 x 4-point terminal block with push-in connection
 LINK: 1 x 4-point terminal block with push-in connection



3D View

LOUDSPEAKER

KARA III



By:	DAVID L Y	Format:	A3	Scale:	1:5	Weight (Kg/lbs):	21 Kg / 46 lbs	Dimension:	mm / inches	Referential axis of symmetry	
Drawn	Date: 2021-01-20	<small>These drawings are the property of L&C JUSTICE. All reproduction, copy or communication is forbidden without written permission.</small>									