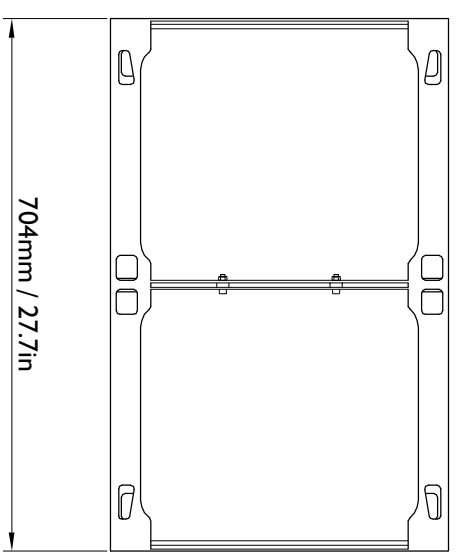
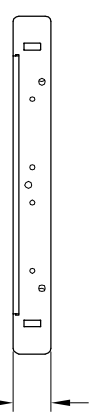
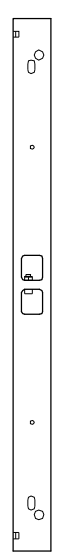
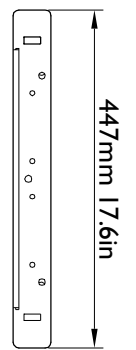
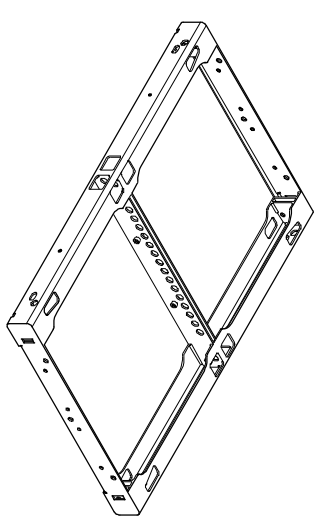


**RIGGING ELEMENT**  
**KARA-MINIBU**

3D View



Drawn by:	DAVID.LY
Date:	2014-01-09
Scale:	1/10 Dim: mm / inches
Format:	A3 Weight (kg/lbs): 7.6Kg / 17lbs
Referential axis of symmetry	

Revision:	Date:	Modification:



13 Rue Levacher-Girtrac  
Parc de la Fontaine de Jouvence  
91462 MARCOUSSIS CEDEX  
- FRANCE -  
Tel: +33 (0)1.69.63.69.63  
Fax: +33 (0)1.69.63.69.64  
Email: application@l-acoustics.com

These drawings are the property of LACOUSTICS. All reproduction, copy or communication is forbidden without written permission.