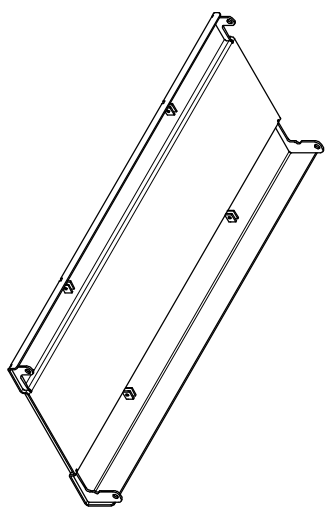


**RIGGING ELEMENT**  
**KARA-DOWNKI**

3D View



Drawn by: DAVID.LY  
 Date: 2014-01-08  
 Scale: 1/10 Dim: mm / inches  
 Format: A3 Weight (kg/lbs): 21 Kg / 46 lbs

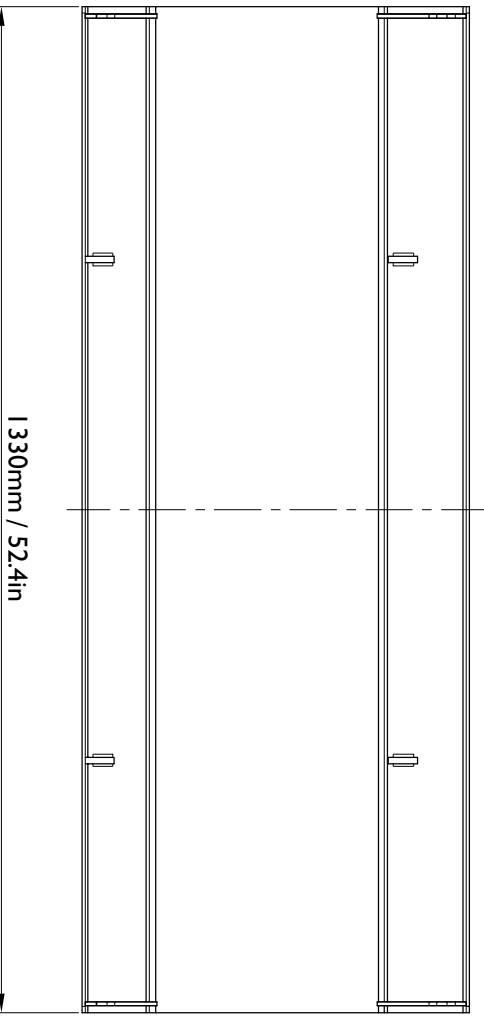
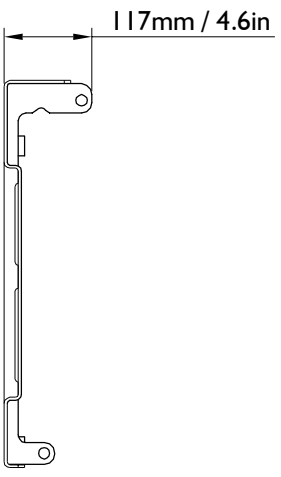
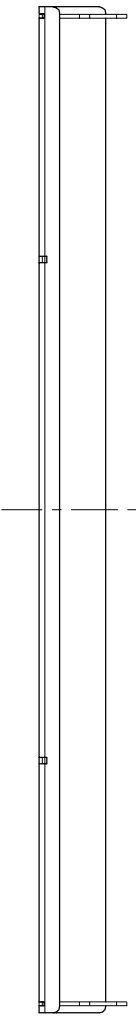
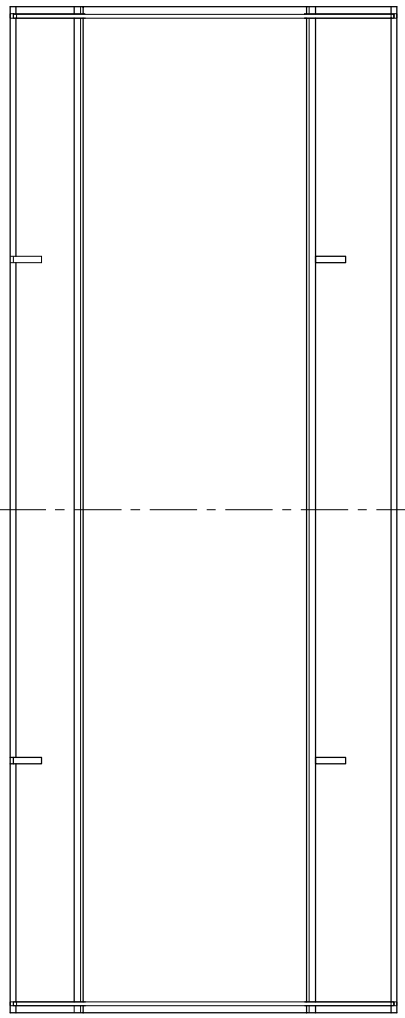
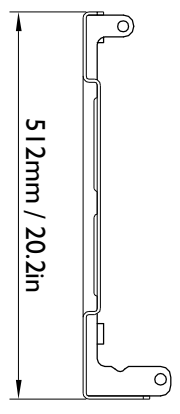
Referential axis of symmetry

Revision:	Date:	Modification:



13 Rue Levacher-Cintrat  
 Parc de la Fontaine de Jouvence  
 91462 MARCOUSSIS CEDEX  
 - FRANCE -  
 Tel: +33 (0)1.69.63.69.63  
 Fax: +33 (0)1.69.63.69.64  
 Email: application@l-acoustics.com

These drawings are the property of L-ACOUSTICS. All reproduction, copy or communication is forbidden without written permission.



1330mm / 52.4in