

1

2

3

4

5

# LEFT

# RIGHT

H

H

G

G

F

F

E

E

D

D

C

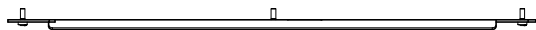
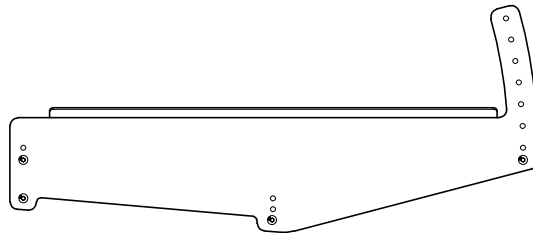
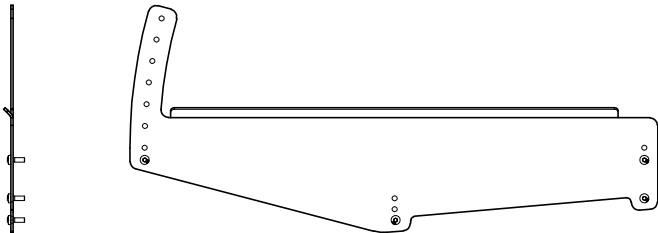
C

B

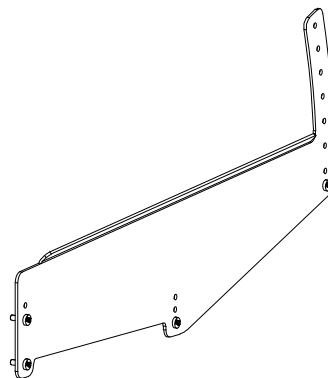
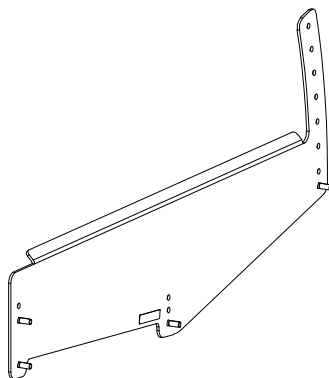
B

A

A



3D View



## RIGGING ELEMENT

## KARAIi-TILT



Drawed

By: DAVID.LY  
Date: 2021-01-19

Format:  
A4

Scale:  
1:10

Weight (Kg/lbs):  
//

Dimension:  
mm / inches



Referential axis of symmetry



These drawing are the property of L-ACOUSTICS. All reproduction, copy or communication is forbidden without written permission.

1

2

3

4

5