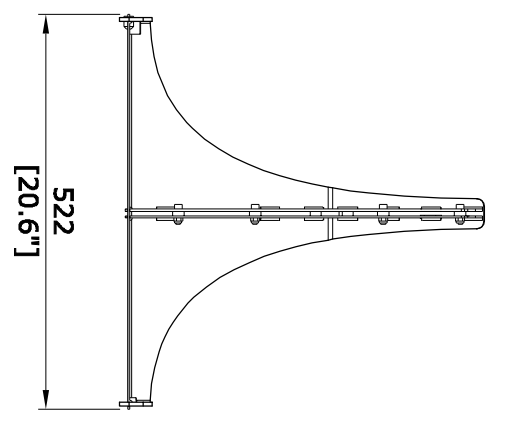
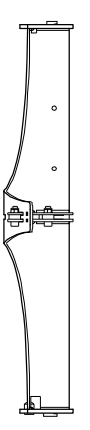
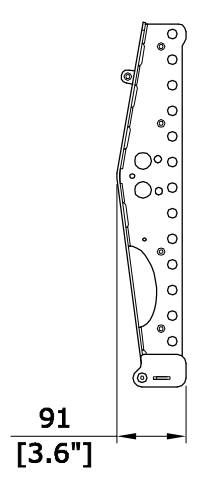
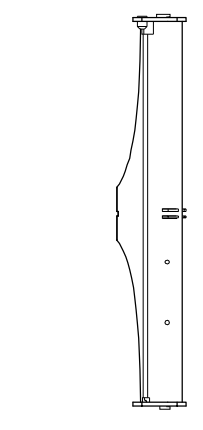
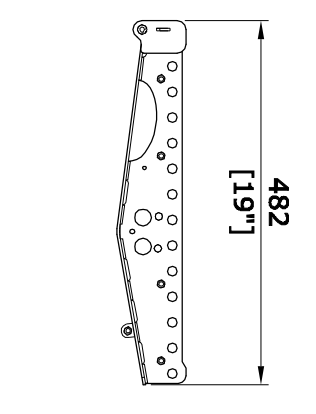
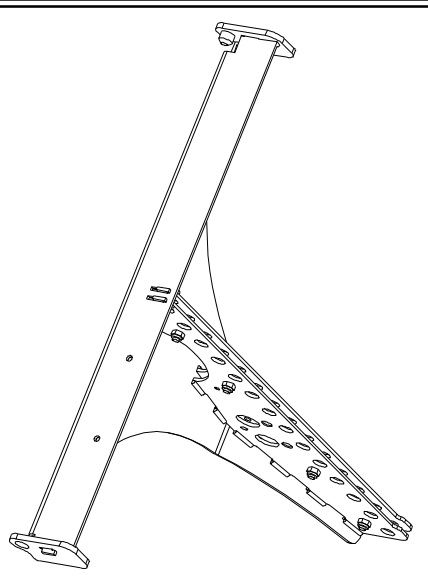



RIGGING ELEMENT
KIBU II

3D View



Drawn by:	DAVID.LY
Date:	2016-06-07
Scale:	1/10 Dim: mm / inches
Format:	A3 Weight (Kg/lbs) : 3.8Kg/6.6lbs
Referential axis of symmetry	
Rev:	Date:
Modifications:	



13 Rue Lavacher Citrat
Parc de la Fontaine de Jouvance
91462 MARCOUSSIS CEDEX
- FRANCE -
Tel: +33 (0)1.69.63.69.63
Fax: +33 (0)1.69.63.69.64
Email: application@l-acoustics.com

These drawings are the property of L-ACOUSTICS. All reproduction, copy or communication is forbidden without written permission.