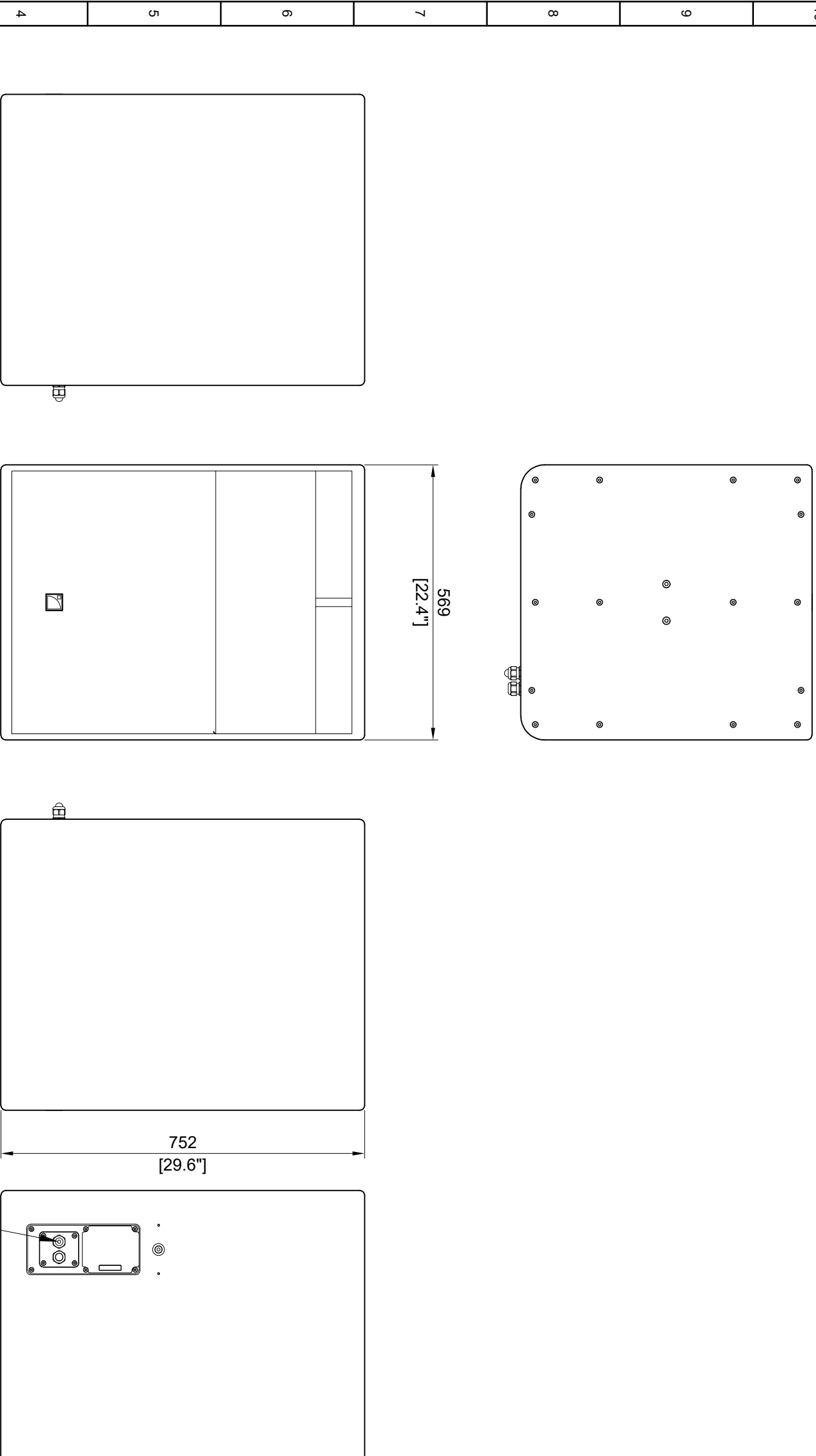
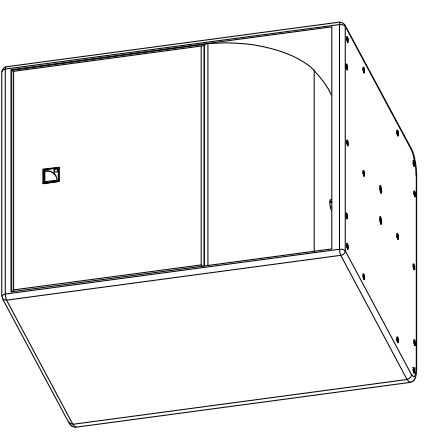


J I H G F E D C B A

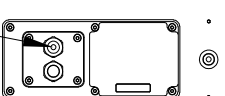
LOUDSPEAKER ENCLOSURE

KS21i

3D View



Connectors: 1 x 4-point terminal block with push-in connection



Drawn by:	DAVID.LY	
Date:	
Scale:	1/10	Dim: mm / inches
Format:	A3	Weight (kg/lbs): 49 kg / 108 lb
	Referential axis of symmetry	
Rev:	Date:	Modifications:



13 Rue Levaucher Citral
 Parc de la Fontaine de Jourvance
 91462 MARCOUSSIS CEDEX
 - FRANCE -
 Tel: +33 (0)1.69.63.69.63
 Fax: +33 (0)1.69.63.69.64
 Email: application@l-acoustics.com

These drawings are the property of LACOUSTICS. All reproduction, copy or communication is forbidden without written permission.

10 9 8 7 6 5 4 3 2 1