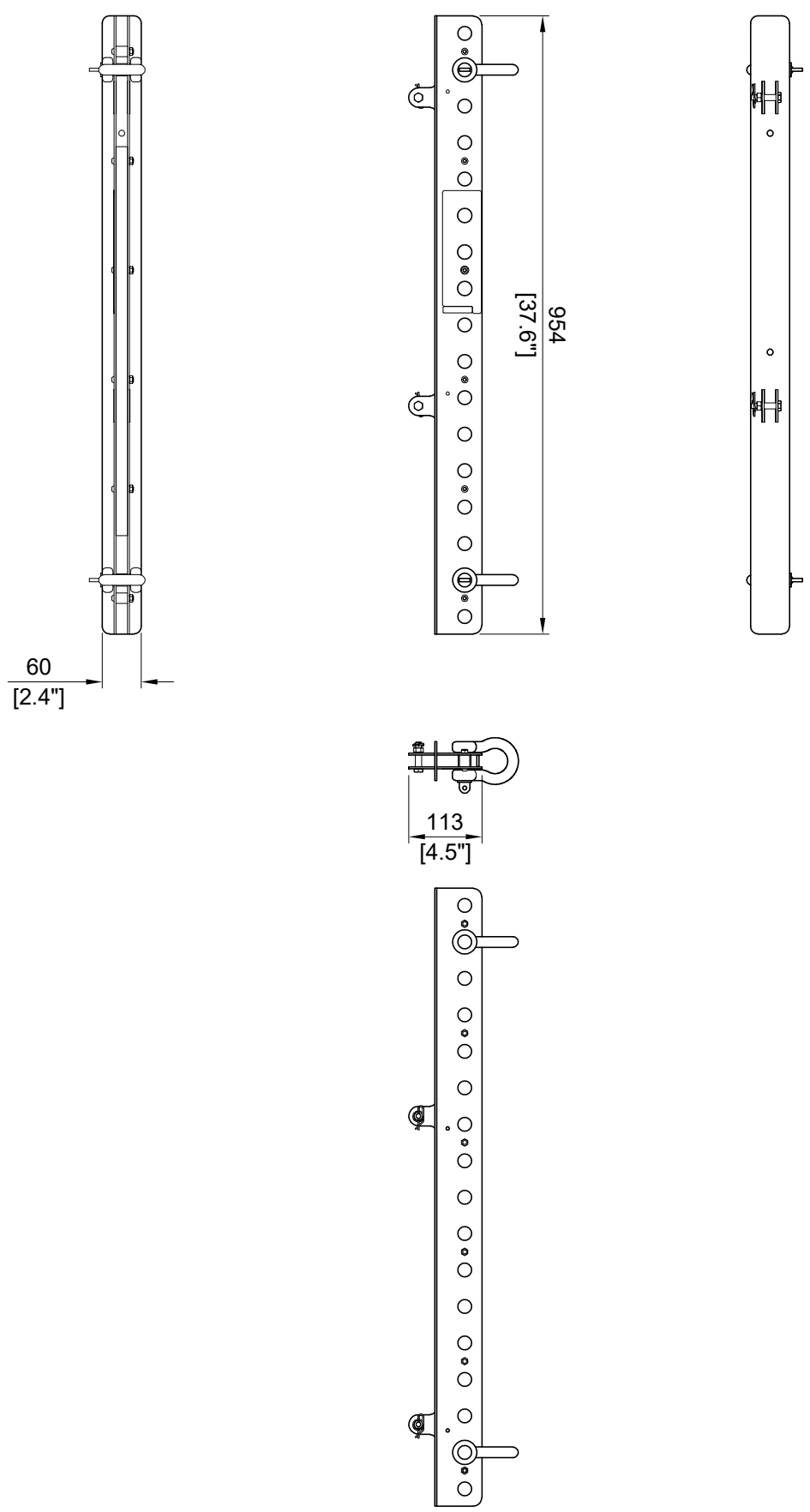
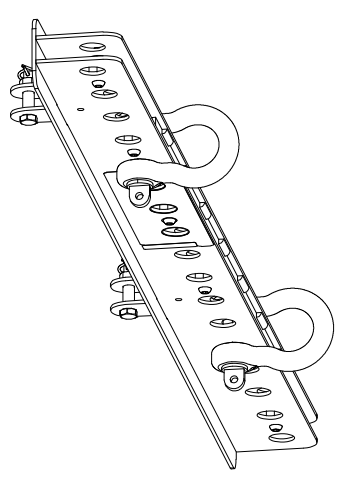


RIGGING ELEMENT
M-BARI

3D View



Drawn by:	DAVID.LY
Date:	2020-03-23
Scale:	1/10
Format:	A3
Weight (kg/lbs):	5 kg / 11 lb
Referential axis of symmetry	

Rev:	Date:	Modifications:



13 Rue Levaucher Central
Parc de la Fontaine de Jourvaire
91462 MARCOUSSIS CEDEX
- FRANCE -
Tel: +33 (0)1.69.63.69.63
Fax: +33 (0)1.69.63.69.64
Email: application@l-acoustics.com

These drawings are the property of LACOUSTICS. All reproduction, copy or communication is forbidden without written permission.