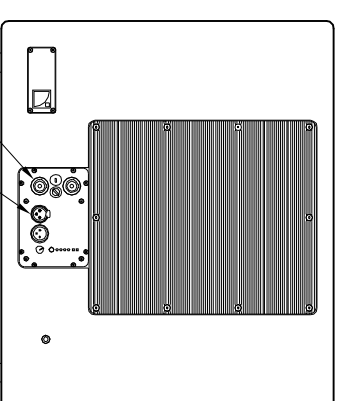
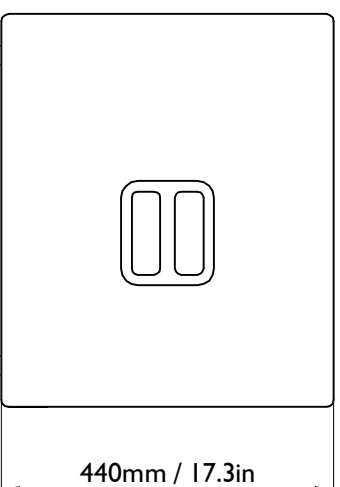
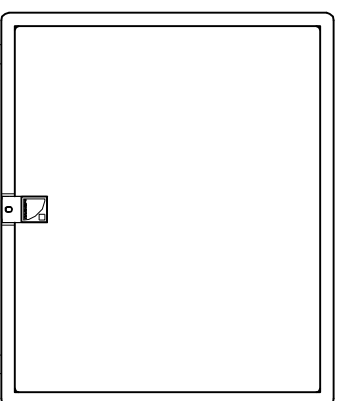
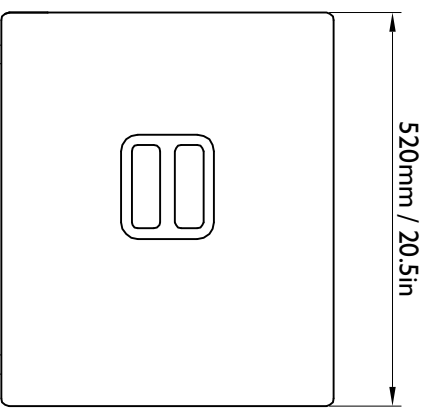
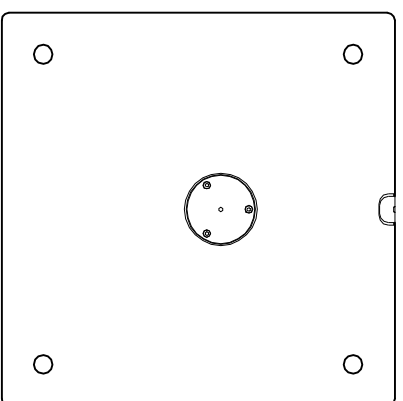
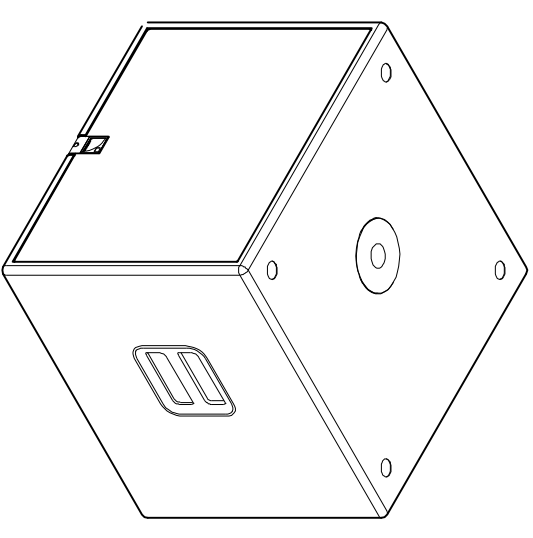


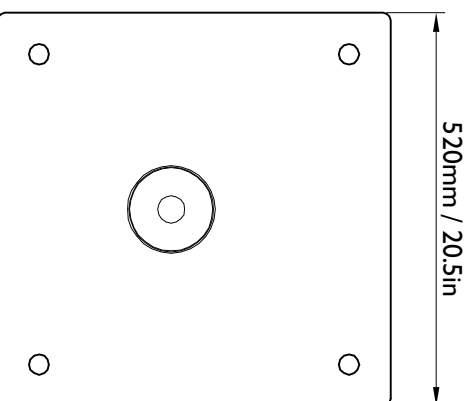
LOUDSPEAKE RENCLOSURE

SBI 5P

3D View



Input / Link mains:
2 x Powercon®
Input / Link connectors:
2 x 3-points XLR



520mm / 20.5in

440mm / 17.3in

Drawn by:	DAVID.LY
Date:	2014-01-08
Scale:	1/10 Dim: mm / inches
Format:	A3 Weight (kg/lbs): 36kg / 79.4lbs
Referential axis of symmetry	

Revision:	Date:	Modification:



13 Rue Levacher-Girtrac
Parc de la Fontaine de Jouvence
91462 MARCOUSSIS CEDEX
- FRANCE -
Tel: +33 (0)1.69.63.69.63
Fax: +33 (0)1.69.63.69.64
Email: application@l-acoustics.com

These drawings are the property of LACOUSTICS. All reproduction, copy or communication is forbidden without written permission.