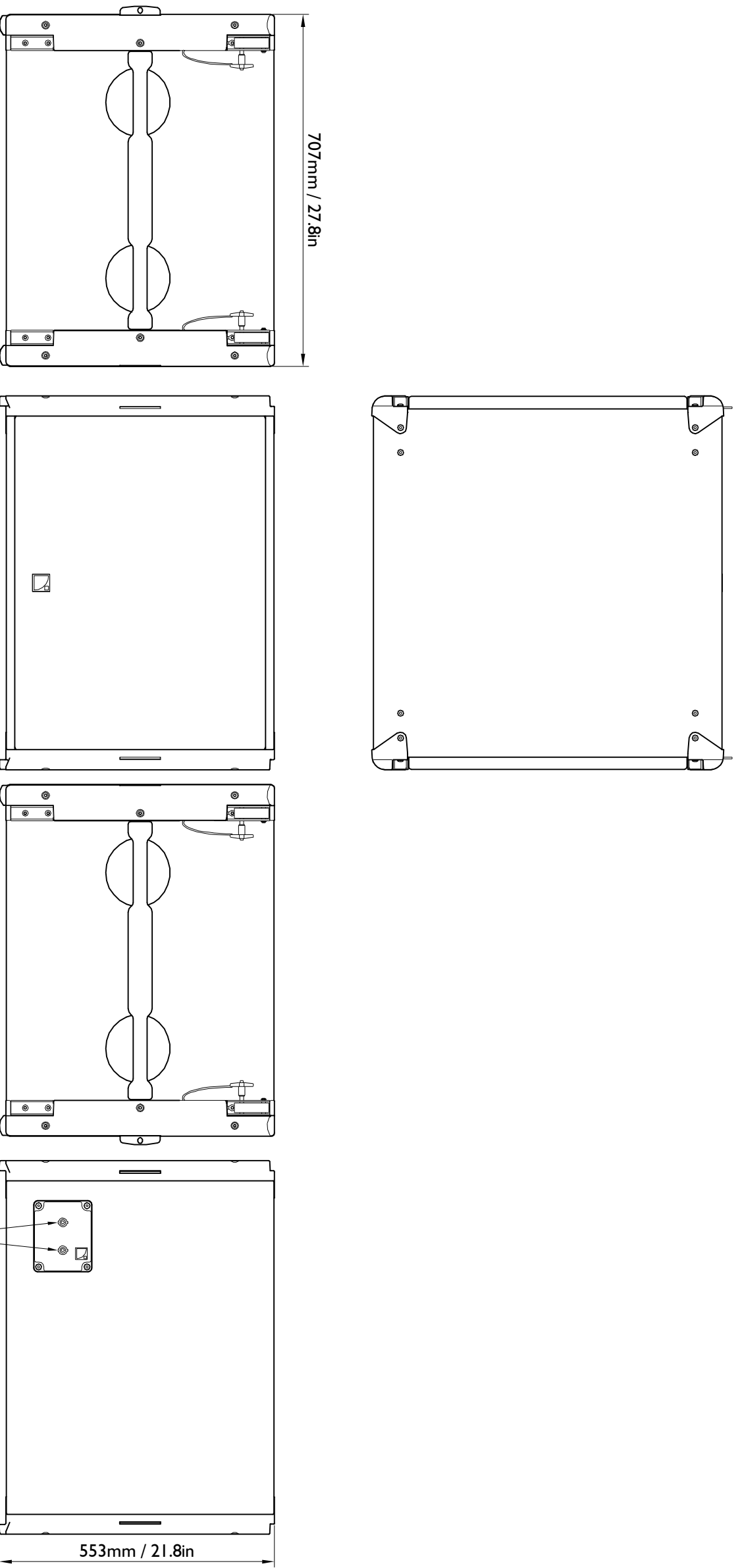
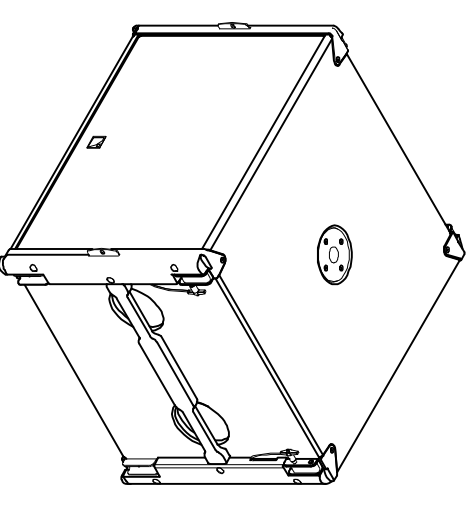


LOUDSPEAKER ENCLOSURE

SB18

3D View



Input / Link connections:
2 x 4-points SpeakON®

Drawn by:	DAVID.LY
Date:	2014-01-08
Scale:	1/10 Dim: mm / inches
Format:	A3 Weight (kg/lbs): 52Kg / 115lbs
Referential axis of symmetry	

Revision:	Date:	Modification:



13 Rue Levacher-Girtrac
Parc de la Fontaine de Jouvançe
91462 MARCOUSSIS CEDEX
- FRANCE -
Tel: +33 (0)1.69.63.69.63
Fax: +33 (0)1.69.63.69.64
Email: application@l-acoustics.com

These drawings are the property of LACOUSTICS. All reproduction, copy or communication is forbidden without written permission.