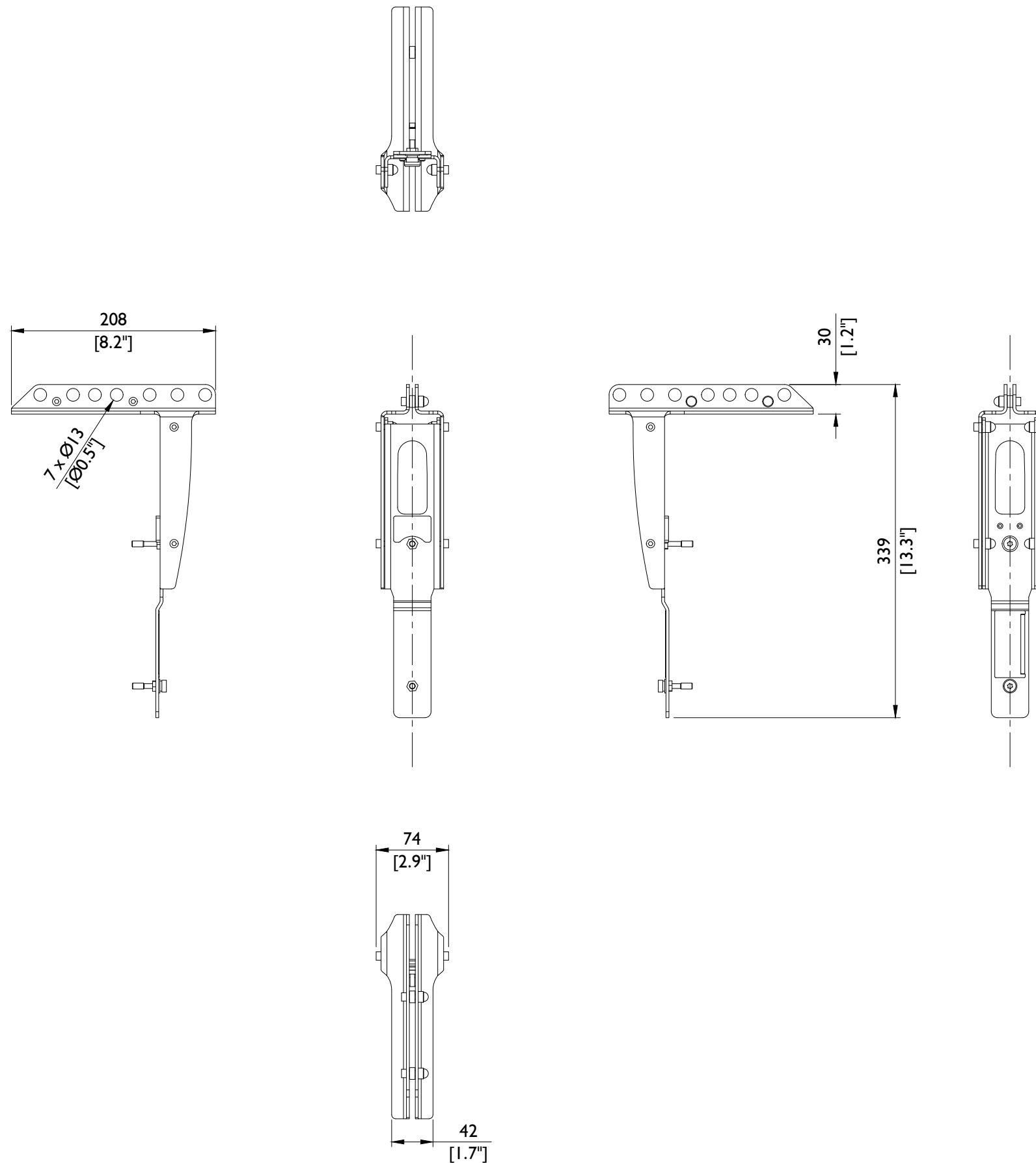
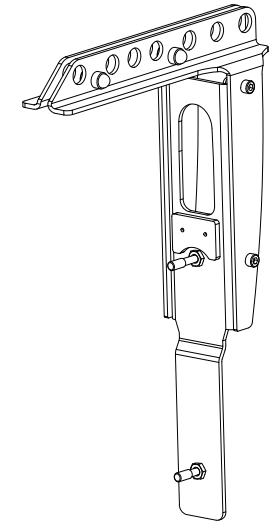


RIGGING ELEMENT SYVA BAR

3D View



Drawn by:	DAVID.LY	
Date:	2017-03-02	
Scale:	1/5	Dim: mm / inches
Format:	A3	Weight (Kg/lbs): 1.3Kg / 2.9lbs

	Referential axis of symmetry	
--	------------------------------	--

Rev.	Date:	Modifications:

	13 Rue Levacher Cintrat
	Parc de la Fontaine de Jouvance
	91462 MARCOUSSIS CEDEX
	- FRANCE -
	Tel: +33 (0)1.69.63.69.63
Fax: +33 (0)1.69.63.69.64	
Email: application@l-acoustics.com	

These drawing are the property of L-ACOUSTICS. All reproduction, copy or communication is forbidden without written permission.