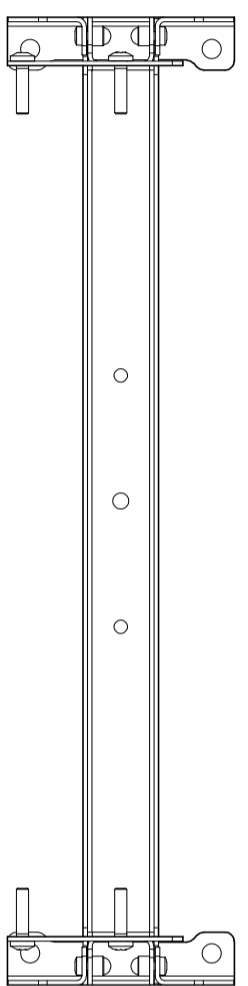
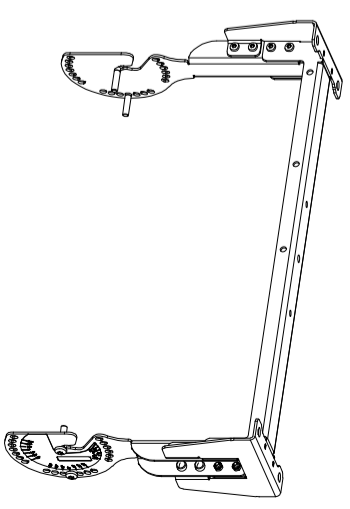


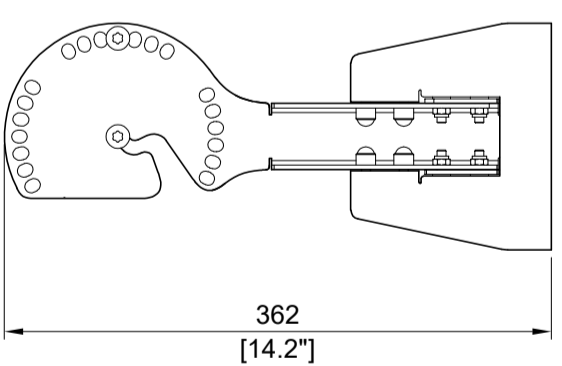
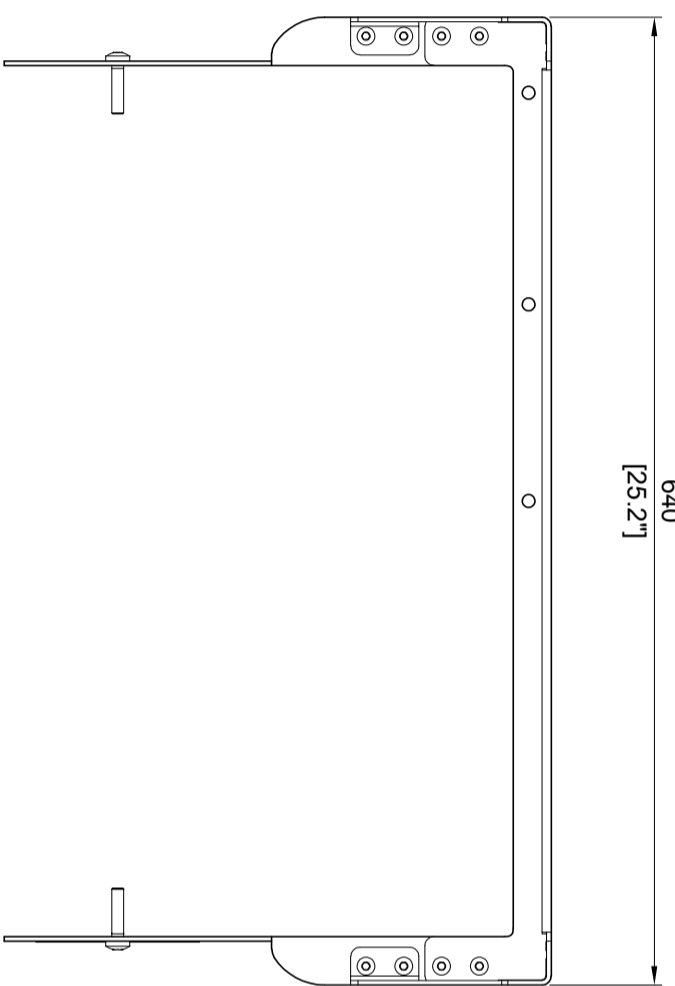
RIGGING ELEMENT

U-A10i

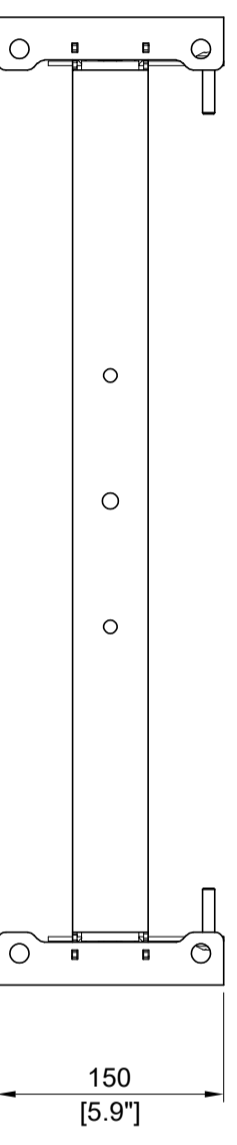
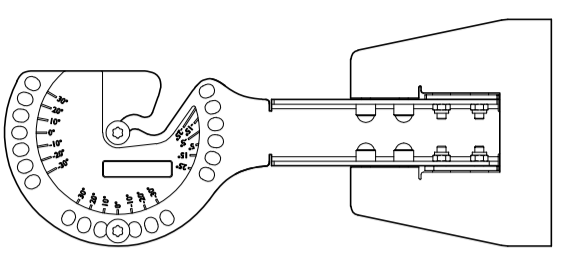
3D View



640
[25.2"]



362
[14.2"]



150
[5.9"]

Drawn by:	DAVID.LY		
Date:	2020-03-20		
Scale:	1/5	Dim: mm / inches	
Format:	A3	Weight (kg/lbs):	4 kg / 8.8 lb
 Referential axis of symmetry			

Rev:	Date:	Modifications:



13 Rue Levaucher Citral
Parc de la Fontaine de Jourvaux
91462 MARCOUSSIS CEDEX
- FRANCE -
Tel: +33 (0)1 69 63 69 63
Fax: +33 (0)1 69 63 69 64
Email: application@l-acoustics.com

These drawing are the property of LACOUSTICS. All reproduction, copy or communication is forbidden without written permission.