

J

I

H

G

F

E

D

C

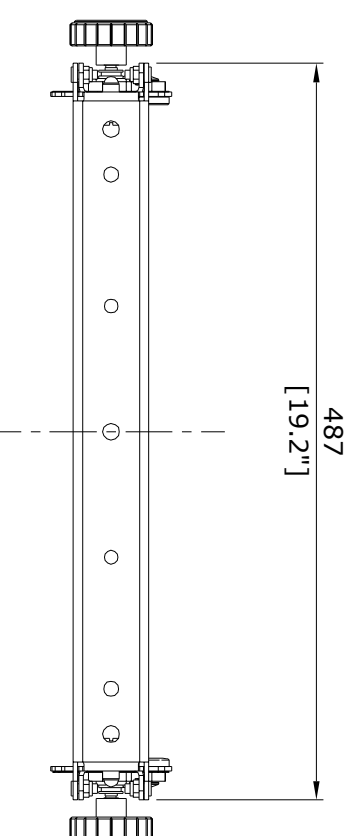
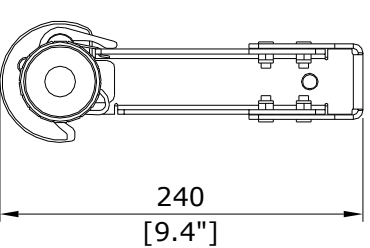
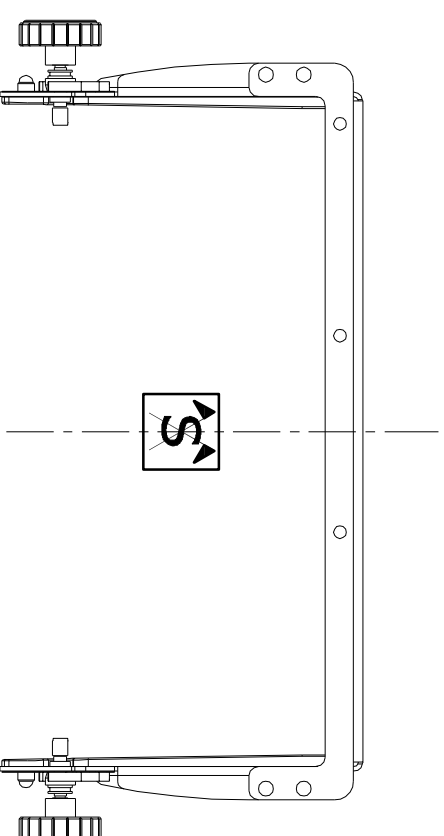
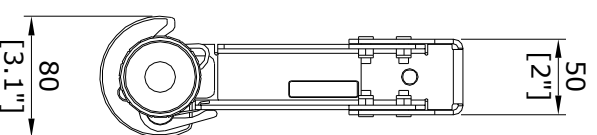
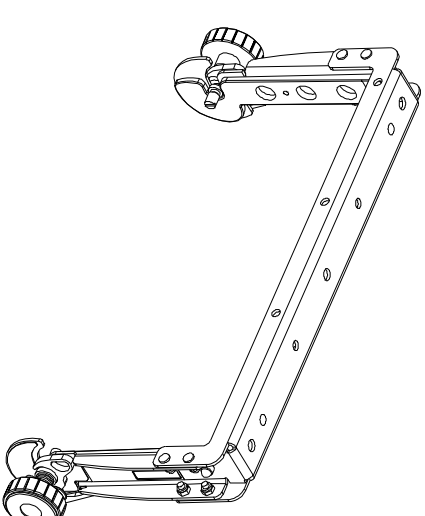
B

A

RIGGING ELEMENT

X-UL8

3D View


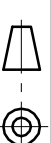


Drawn by: DAVID.LY

Date: 2015-09-08

Scale: 1/5 Dim: mm / inches

Format: A3 Weight (Kg/lbs) : 2.2Kg/4.6lbs

 Referential axis of symmetry
 

Rev:	Date:	Modifications:



13 Rue Lavacher Citrat
 Parc de la Fontaine de Jouvaque
 91462 MARCOUSSIS CEDEX
 - FRANCE -
 Tel: +33 (0)1.69.63.69.63
 Fax: +33 (0)1.69.63.69.64
 Email: application@l-acoustics.com

These drawings are the property of LACOUSTICS. All reproduction, copy or communication is forbidden without written permission.

1

2

3

4

5

6

7

8

9

10

J

I

H

G

F

E

D

C

B

A

1

2

3

4

5

6

7

8

9

10