

J

I

H

G

F

E

D

C

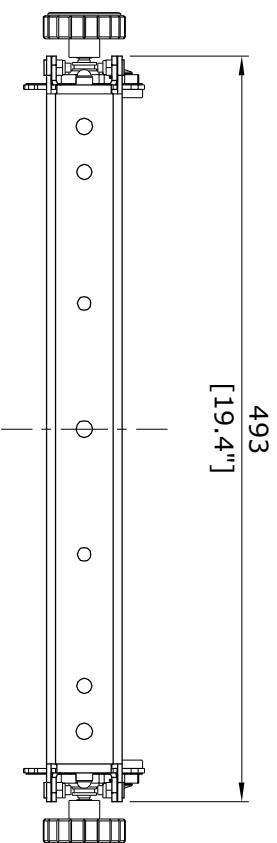
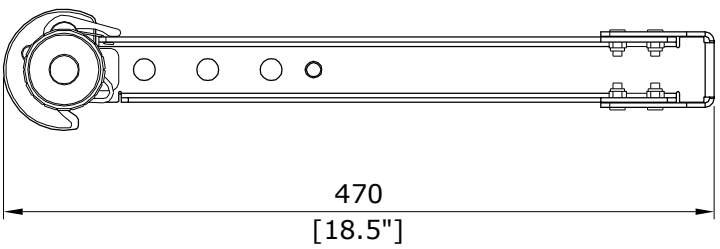
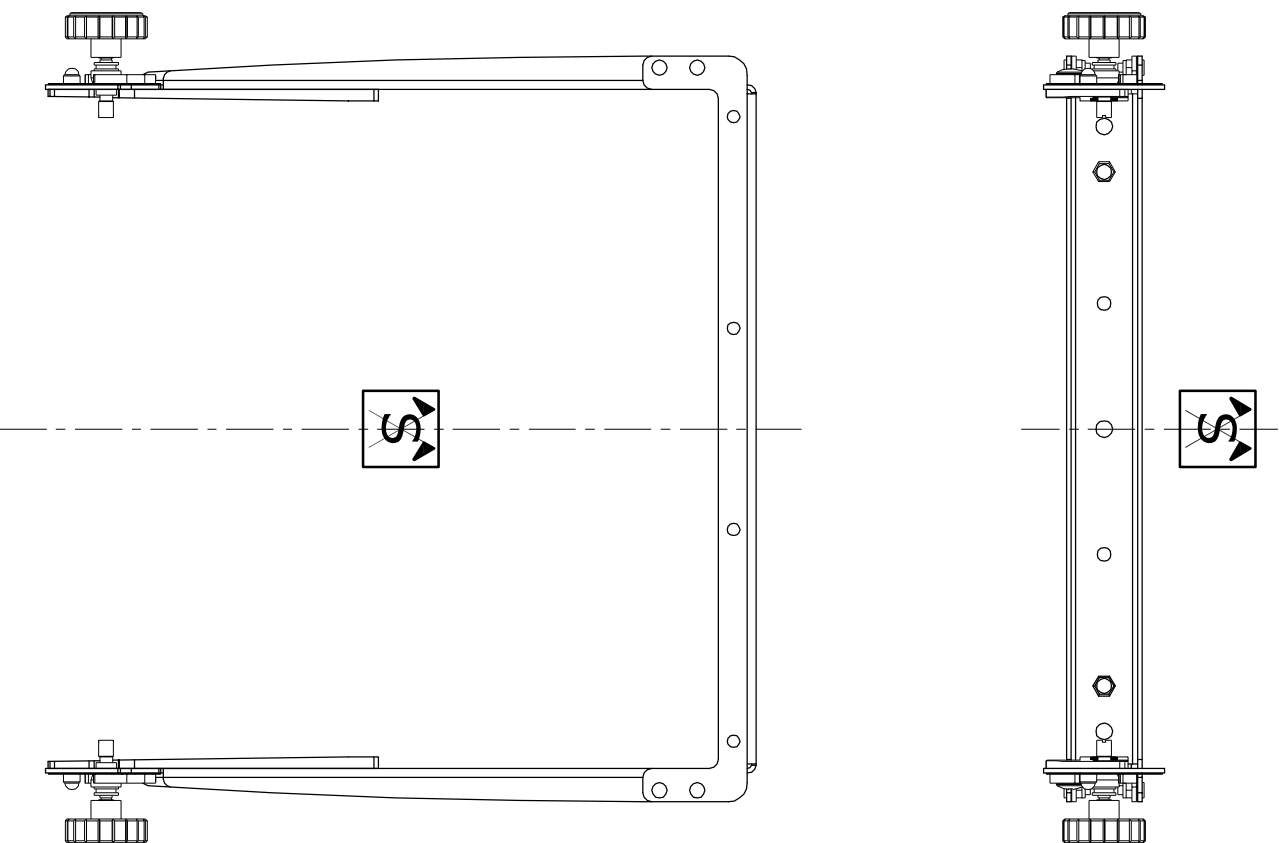
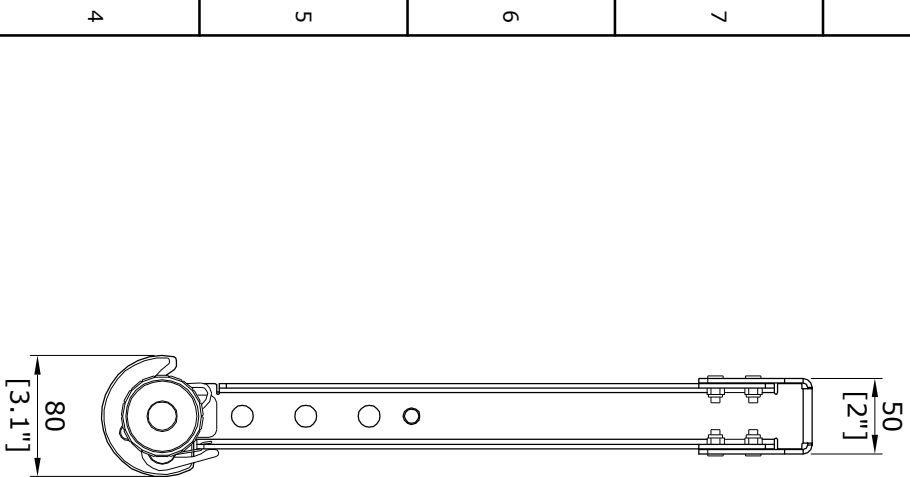
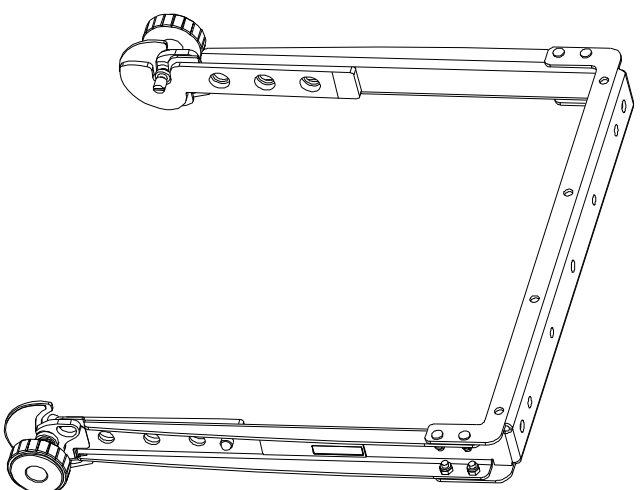
B

A

RIGGING ELEMENT

X-US1215

3D View



Drawn by:	DAVID.LY
Date:	2015-09-08
Scale:	1/5 Dim: mm / inches
Format:	A3 Weight (Kg/lbs): 3.4Kg/7.5lbs
Referential axis of symmetry	

Rev:	Date:	Modifications:



13 Rue Levacher Citrat
 Parc de la Fontaine de Jouvance
 91462 MARCOUSSIS CEDEX
 - FRANCE -
 Tel: +33 (0)1.69.63.69.63
 Fax: +33 (0)1.69.63.69.64
 Email: application@l-acoustics.com

These drawings are the property of LACOUSTICS. All reproduction, copy or communication is forbidden without written permission.

1

2

3

4

5

6

7

8

9

10

J

I

H

G

F

E

D

C

B

A

1

2

3

4

5

6

7

8

9

10