

J

I

H

G

F

E

D

C

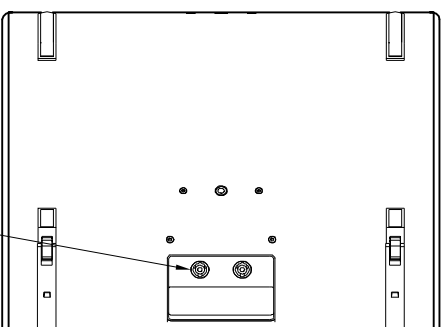
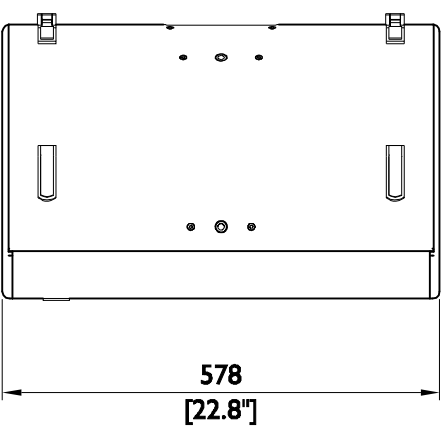
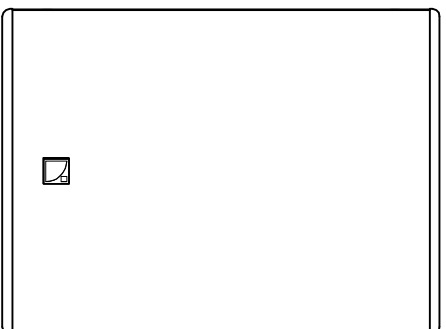
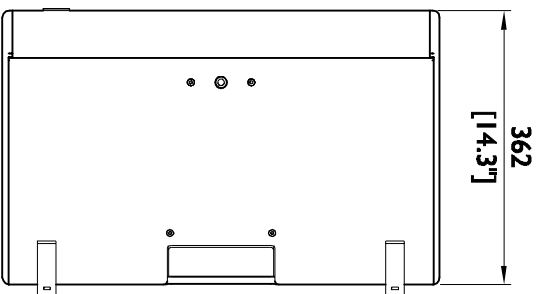
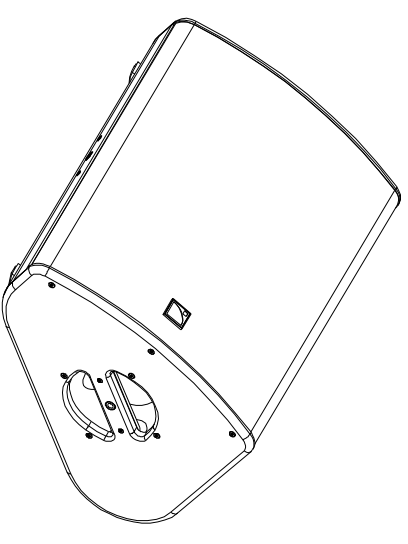
B

A

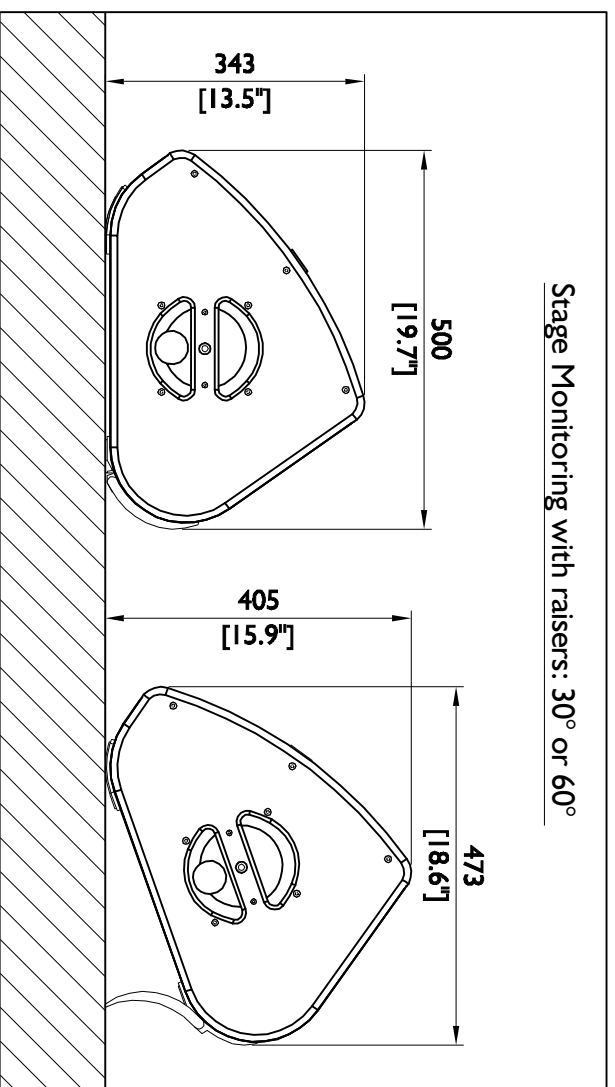
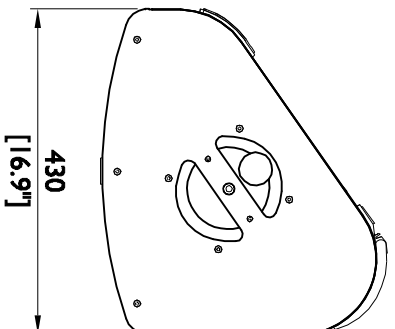
LOUDSPEAKER ENCLOSURE

X15 HiQ

3D View



Input / Link connectors:
2 x 4-points SpeakON®



Drawn by:

DAVID.LY

Date:

2015-09-08

Scale:

1/10 Dim: mm / inches

Format:

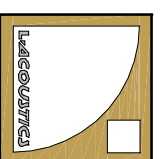
A3 Weight (kg/lbs): 22Kg / 48.5lbs

Referential axis of symmetry



Rev: _____ Date: _____

Modifications:



13 Rue Levacher-Girtrac
Parc de la Fontaine de Jouvence
91462 MARCOUSSIS CEDEX
- FRANCE -
Tel: +33 (0)1.69.63.69.63
Fax: +33 (0)1.69.63.69.64
Email: application@l-acoustics.com

These drawings are the property of L-ACOUSTICS. All reproduction, copy or communication is forbidden without written permission.